

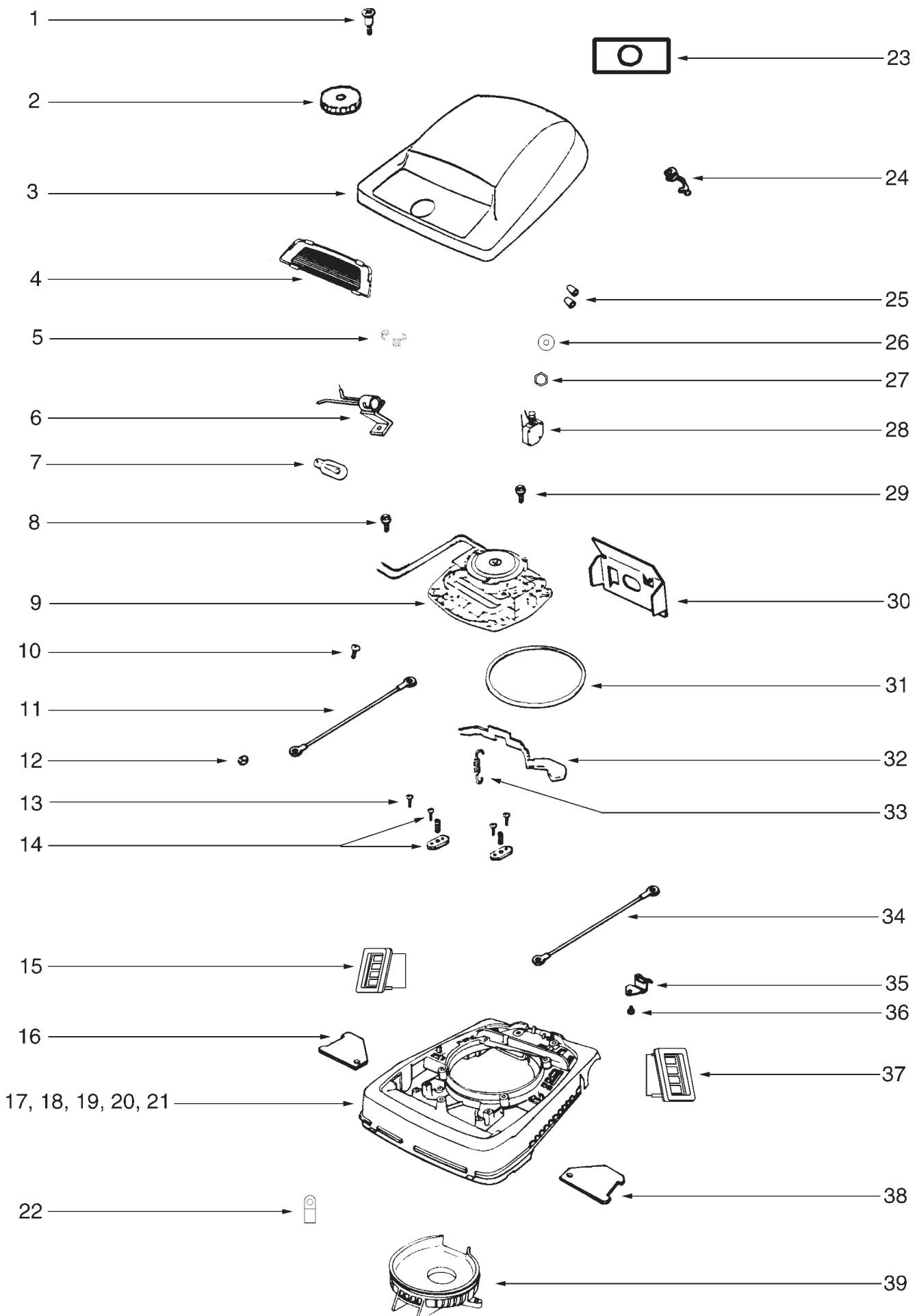


REPAIR PARTS LIST

**SC888H**

SANITAIRE COMMERCIAL UPRIGHT

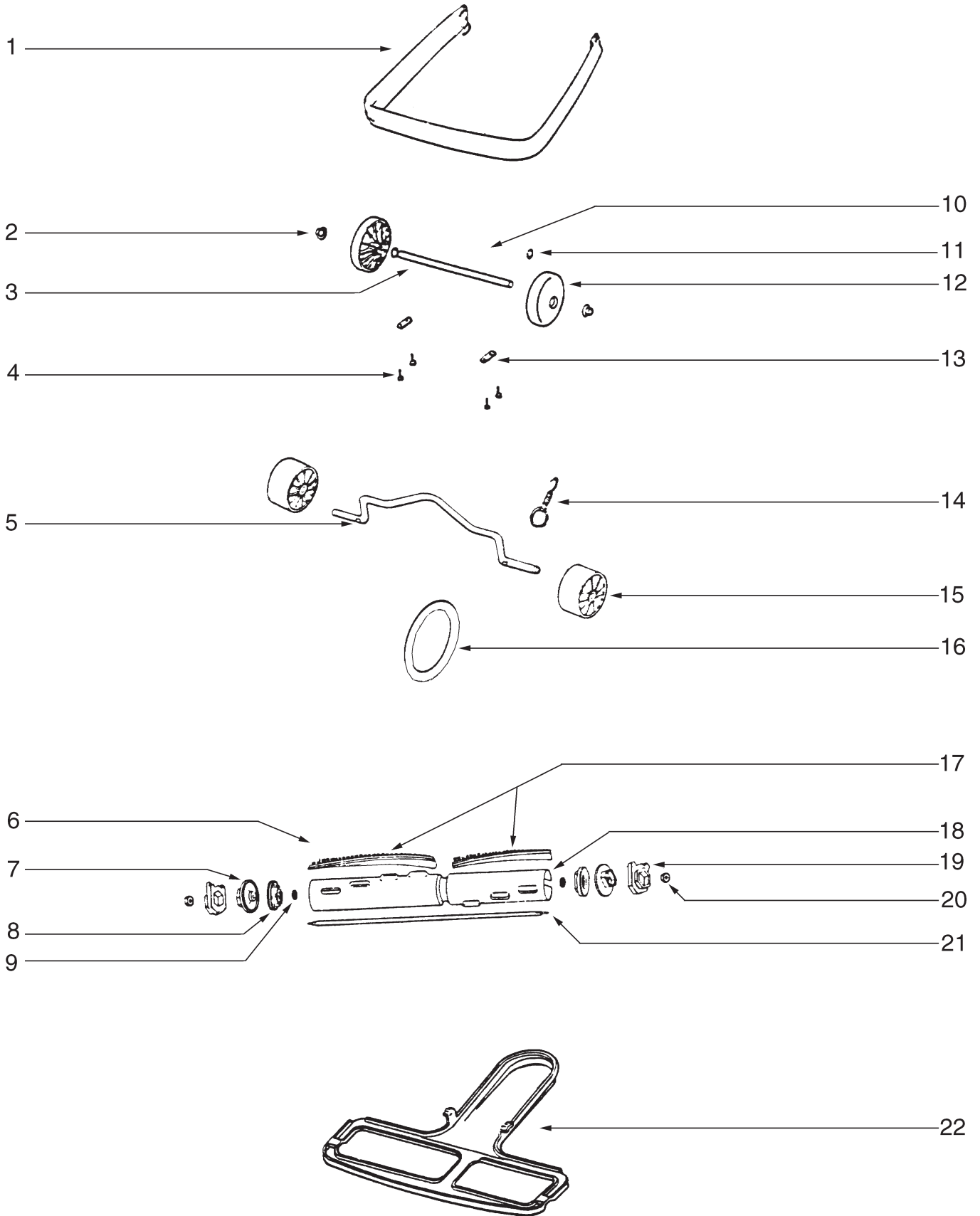
Date: February 19, 2003



## SC888H

1.	53143	SCREW - pkg of 10
2.	26833-1	KNOB
3.	54098-1	HOOD ASSEMBLY
4.	12600-22	LENS
5.	53117	HOOD SPRING - pkg of 10
6.	37514	HEADLIGHT SOCKET ASSEMBLY
7.	48815	HEADLIGHT
8.	53238-14	MOTOR MOUNTING SCREW - pkg of 10
9.	54352-3	MOTOR ASSEMBLY
10.	53228-2	SCREW - pkg of 10
11.	55296	WIRE & TERMINAL ASSEMBLY
12.	53213-4	NUT - pkg of 10
13.	53238-13	SCREW - pkg of 10
14.	53140	CLAMP & SCREW ASSEMBLY
15.	56380SV	DUCT ASSEMBLY (L)
16.	36263	WHEEL COVER
17.	53425-16	BASE ASSEMBLY*
18.	24964A-1	CAM (R.H.)
19.	24965A-1	CAM (L.H.)
20.	53118	CAM RIVET - pkg of 10
21.	53133	WASHER - pkg of 10
22.	49301	CABLE CLAMP
23.	37654	NAME PLATE
24.	53122	STRAIN RELIEF BUSHING - pkg of 10
25.	60192-1	WIRE SPLICE - pkg of 5
26.	53102	SWITCH WASHER - pkg of 10
27.	55446	SWITCH NUT
28.	36409-13	SWITCH ASSEMBLY
29.	53238-14	SCREW - pkg of 10
30.	25461A	LIGHT SHIELD
31.	30517	MOTOR SEAL GASKET
32.	24834A-3	FOOT PEDAL
33.	53097	FOOT PEDAL SPRING - pkg of 10
34.	48820-1	WIRE ASSEMBLY (GROUNDING)
35.	37034	ADAPTER RETAINER SPRING
36.	53238-11	SCREW - pkg of 10
37.	56379SV	DUCT ASSEMBLY (R)
38.	36263	WHEEL COVER
39.	13770-1	FAN SCROLL COVER

\* INCLUDES ITEMS 18, 19, 20 & 21

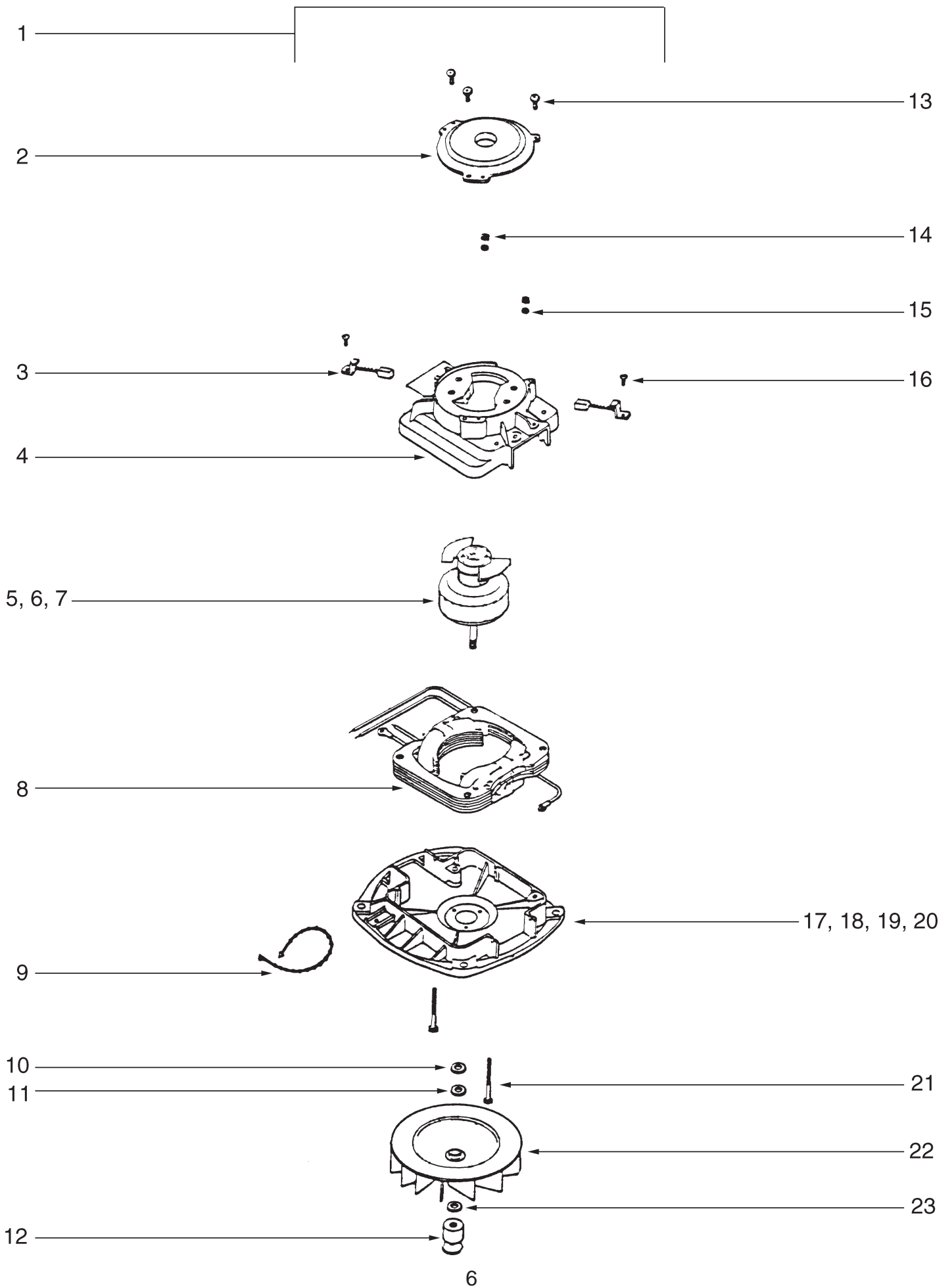


## SC888H

1.	28504-1	FURNITURE GUARD
2.	53121	PUSH NUT - pkg of 10
3.	37183	REAR AXLE
4.	53238-11	SCREW - pkg of 10
5.	35947A	FRONT AXLE
6.	53270	DISTURBULATOR ASSEMBLY*
7.	26057A	DISTURBULATOR CAP
8.	54256	BEARING & RETAINER ASSEMBLY
9.	53184	KLIPRING
10.	60161	WHEEL & AXLE ASSEMBLY**
11.	53110	WHEEL WASHER - pkg of 10
12.	26242-119N	REAR WHEEL
13.	53201	AXLE CLAMP - pkg of 10
14.	53076-2	AXLE SPRING - pkg of 6
15.	35859A-1	FRONT WHEEL
16.	52100A	BELT - pkg of 2
17.	52282-4	BRISTLE STRIP SET
18.	13236-3	DISTURBULATOR TUBE
19.	26059A	CAP COVER
20.	53158	NUT - pkg of 10
21.	25937	SHAFT
22.	25922-1	BOTTOM PLATE ASSEMBLY

\* INCLUDES ITEMS 7, 8, 9, 17, 18, 20 & 21

\*\* INCLUDES ITEMS 3, 11 & 12

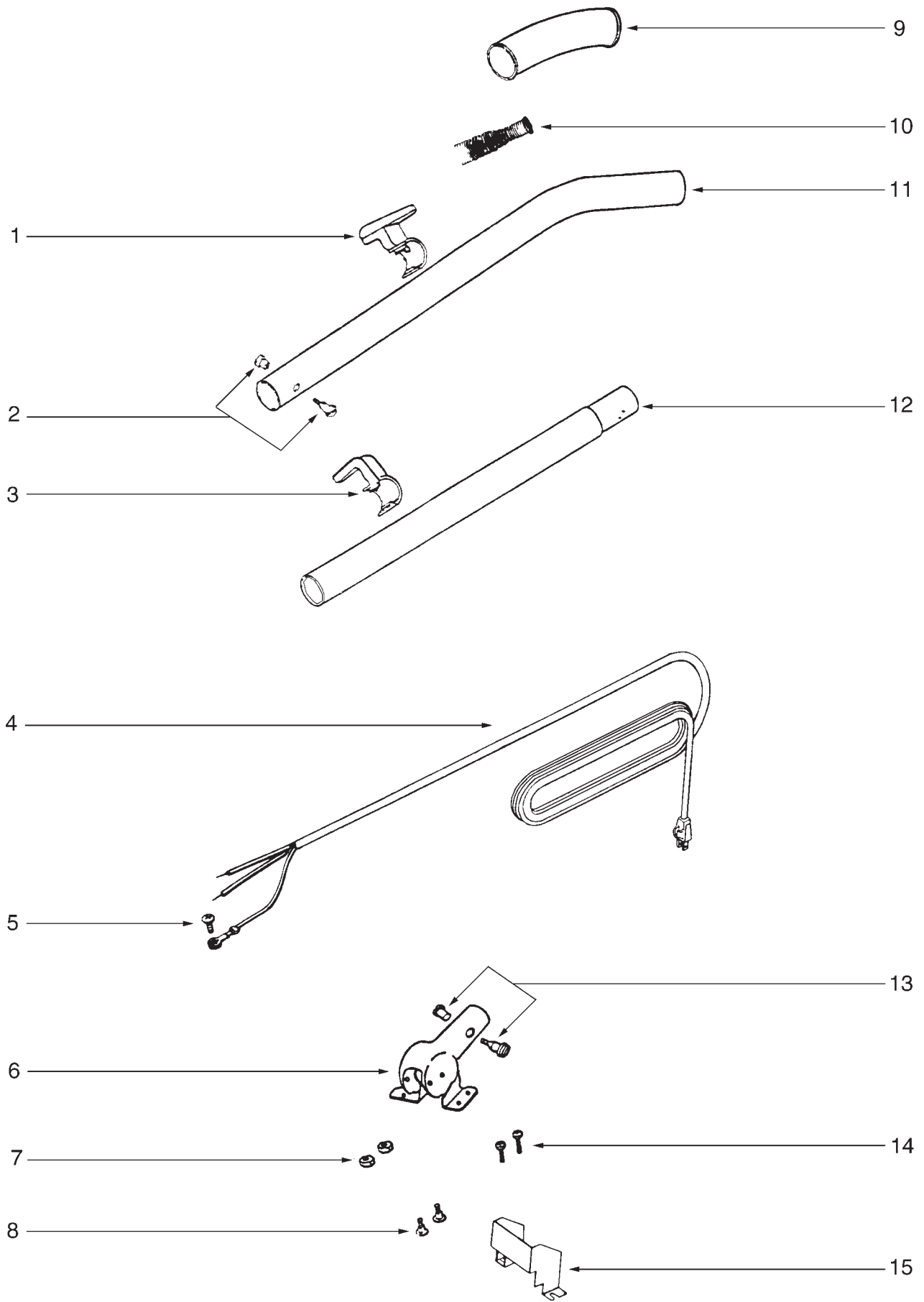


## SC888H

1.	54352-3	MOTOR ASSEMBLY COMPLETE
2.	20217E	RETAINER ASSEMBLY
3.	30478	MOTOR BRUSH ASSEMBLY
4.	54396	MOTOR COVER
5.	54425-3	ARMATURE FAN & BEARING ASSEMBLY*
6.	53088-5	BEARING - pkg of 5
7.	30474A	FAN
8.	53441-2	FIELD ASSEMBLY
9.	46713-1	CABLE TIE
10.	54811	WASHER - pkg of 10
11.	53148	FAN WASHER - pkg of 10
12.	37012-2	PULLEY
13.	53138	RETAINER SCREW - pkg of 10
14.	56817	HEX NUT
15.	53222-4	LOCK WASHER - pkg of 10
16.	53219-2	BRUSH SCREW
17.	54169-1	MOTOR BASE ASSEMBLY**
18.	20217E	BEARING RETAINER
19.	53088-5	BEARING - pkg of 5
20.	53187-1	RIVET - pkg of 10
21.	53142	ORLO THREAD SCREW - pkg of 10
22.	12988	FAN
23.	53148	FAN WASHER - pkg of 10

\* INCLUDES ITEMS 6 & 7

\*\* INCLUDES ITEMS 18, 19 & 20





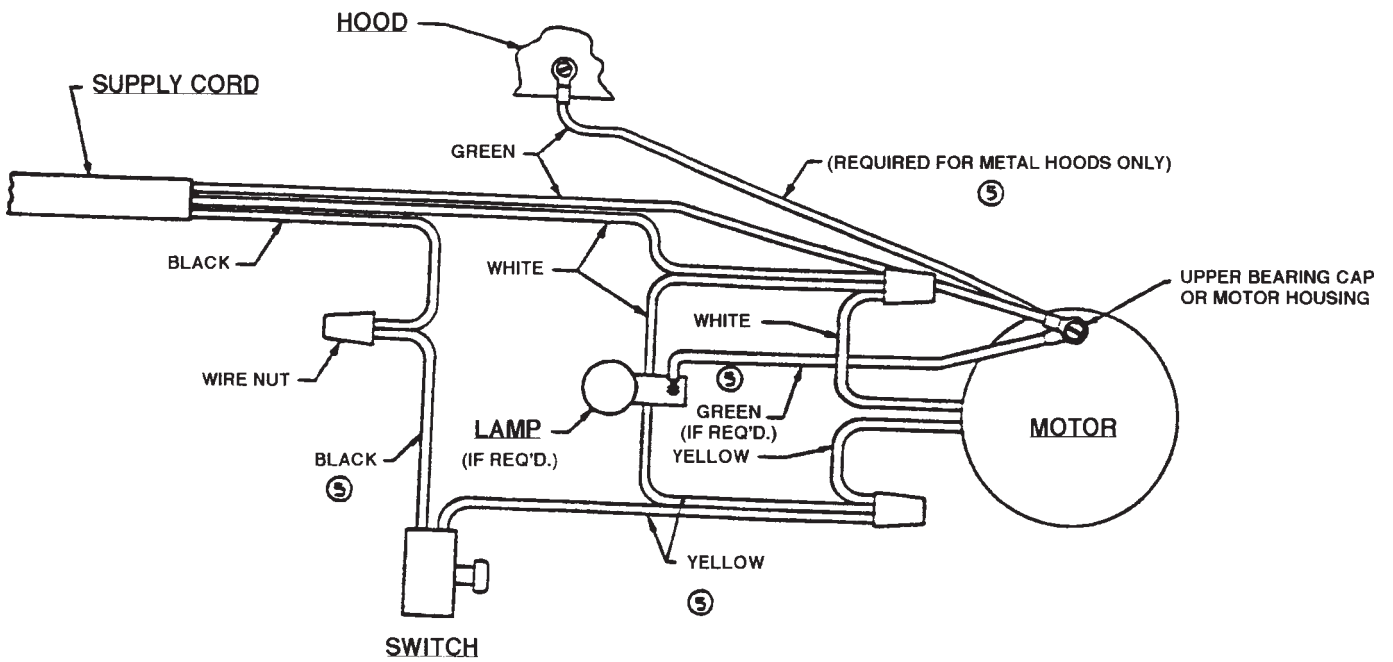
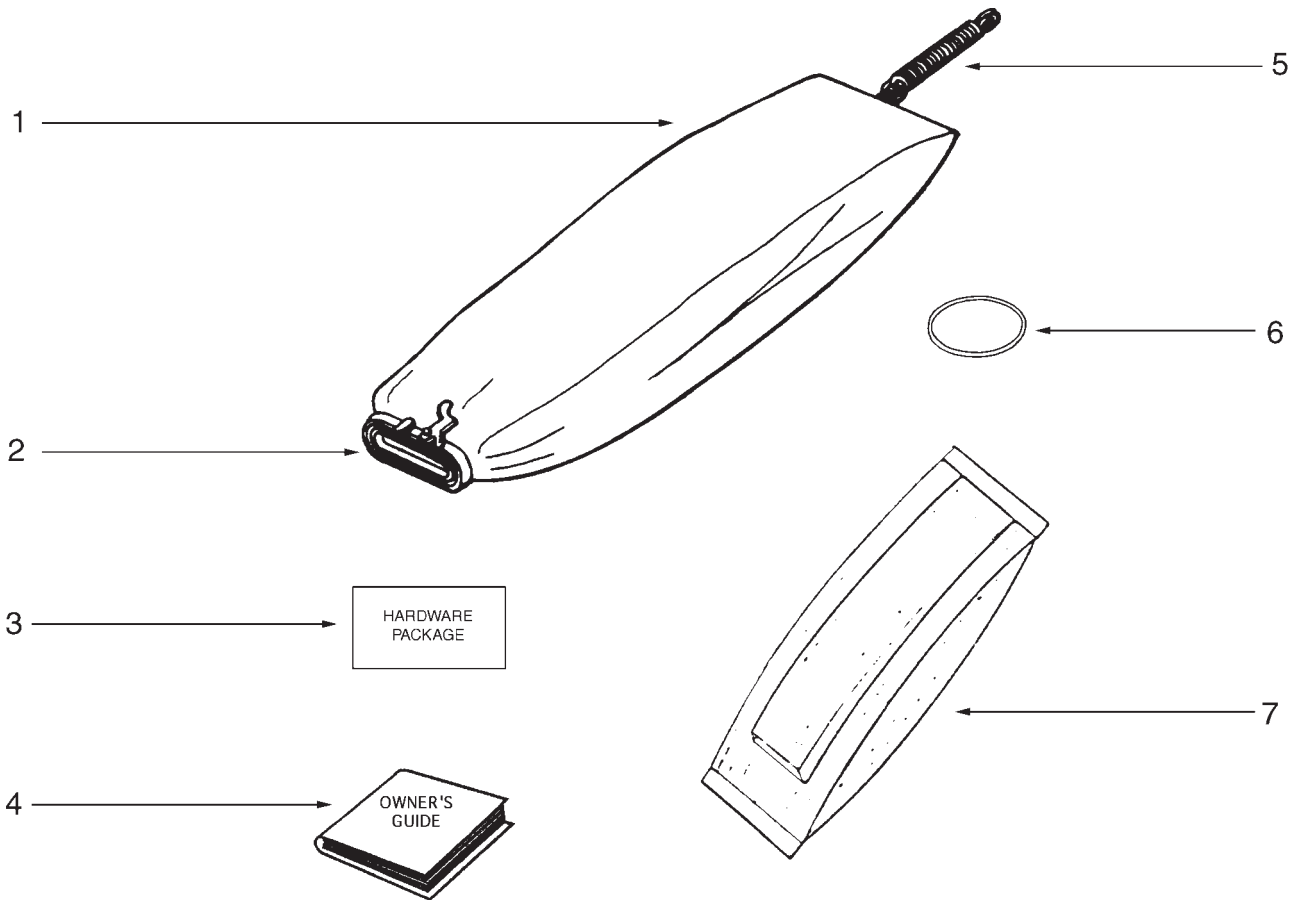
## SC888H

- |     |           |                                 |
|-----|-----------|---------------------------------|
| 1.  | 53574-1   | UPPER CORD RETAINER*            |
| 2.  | 53198-1   | HANDLE SCREW - pkg of 6         |
| 3.  | 53574-1   | LOWER CORD RETAINER**           |
| 4.  | 52370-12  | SUPPLY CORD                     |
| 5.  | 53238-13  | SCREW - pkg of 10               |
| 6.  | 38183-1SV | HANDLE SOCKET ASSEMBLY          |
| 7.  | 53213-5   | NUT - pkg of 10                 |
| 8.  | 53145     | BOLT - pkg of 10                |
| 9.  | 35293-6   | HANDLE GRIP                     |
| 10. | 53077     | SPRING - pkg of 5               |
| 11. | 25329-16  | UPPER HANDLE ASSEMBLY***        |
| 12. | 12637-8   | LOWER HANDLE TUBE               |
| 13. | 53198-1   | SCREW & NUT ASSEMBLY - pkg of 6 |
| 14. | 53238-13  | SCREW - pkg of 10               |
| 15. | 36439     | HANDLE SOCKET SHIELD            |

\* INCLUDES ITEM 3

\*\* INCLUDES ITEM 1

\*\*\* INCLUDES ITEM 9



36575 WIRING DIAGRAM

## SC888H

- |    |          |   |
|----|----------|---|
| 1. | 53469-21 | BAG ASSEMBLY*                               |
| 2. | 36968    | GASKET                                      |
| 3. | 59945A   | HARDWARE PACKAGE                            |
| 4. | 72936    | OWNER'S GUIDE                               |
| 5. | 47722    | BAG SPRING                                  |
| 6. | 48410    | GARTER SPRING                               |
| 7. | 57695A   | PAPER BAG (STYLE F&G FILTERAIRE) - pkg of 3 |

\* INCLUDES ITEMS 2, 5 & 6

