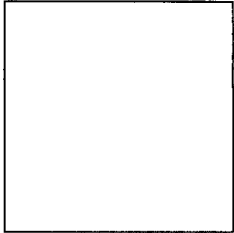


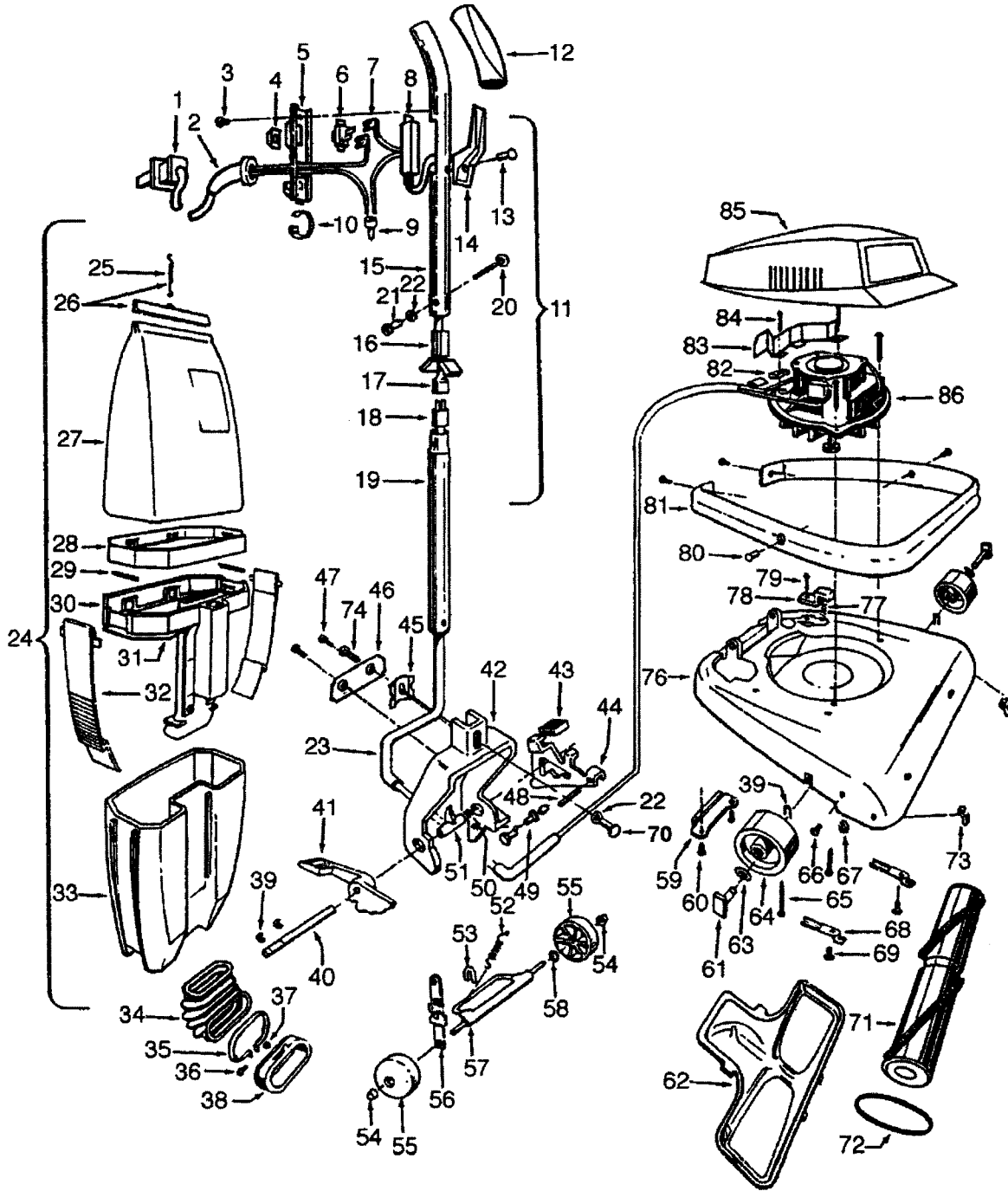


GUARDSMAN™



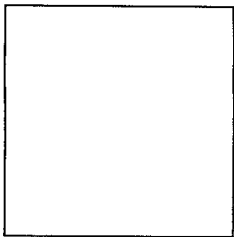
ASSEMBLY SCHEMATIC

MODEL NO.
C1433





GUARDSMAN™



PART LISTING / PRICE LIST

MODEL No.

C1433

ITEM	PART NUMBER	MODELS TO FIT	PART DESCRIPTION	LIST COST
1	91001053	C1433	POWER CORD	
2	36216002	C1433	CORD PROTECTOR	
3	21465314	C1433	SCREW	
4	38421012	C1433	SWITCH BUTTON	
5	37258110	C1433	SWITCH COVER	
6	281770KD	C1433	SWITCH	
7	27666702	C1433	TERMINAL	
8	37214070	C1433	SWITCH CASE	
9	012227--	C1433	TERMINALS	
10	27479307	C1433	CABLE TIE	
11	48644108	C1433	HANDLE COMPLETE	
12	39454070	C1433	HANDLE GRIP	
13	21256094	C1433	RIVET	
14	39441016	C1433	CORD CLIP	
15	48644114	C1433	UPPER HANDLE	
16	36913007	C1433	INSULATOR	
17	47155005	C1433	CONNECTOR / PLUG ASSEMBLY	
18	46321033	C1433	CONNECTOR CORD	
19	32284023	C1433	LOWER HANDLE	
20	21631301	C1433	HANDLE CLAMP BOLT	
21	32277021	C1433	HANDLE NUT	
22	013704--	C1433	LOCK WASHER	
23	38313023	C1433	MOTOR LEAD SPRING	
24	43675188	C1433	BAG AND DIRT CUP ASSEMBLY	
25	38335009	C1433	SUPPORT SPRING	
26	41128021	C1433	BAG CLIP AND SPRING	
27	43667056	C1433	CLOTH BAG ASSEMBLY	
28	35173001	C1433	BAG EXPANDER	
29	34122009	C1433	SEAL	
30	41427006	C1433	SUPPORT AND BELLOW	
31	34123020	C1433	GASKET	
32	36155011	C1433	LATCH	
33	38775001	C1433	DIRT CUP	
34	38673001	C1433	BELLOWS	
35	049044--	C1433	CLAMP BAND	
36	017206--	C1433	SCREW	



GUARDSMAN™

PART LISTING / PRICE LIST

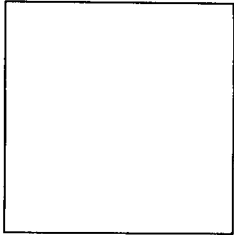
MODEL No.

C1433

ITEM	PART NUMBER	MODELS TO FIT	PART DESCRIPTION
37	015854EF	C1433	NUT
38	41424011	C1433	BAG FLANGE WITH SEALANT
39	013730--	C1433	LOCK RING
40	161509AY	C1433	BAIL / HANDLE FORK SHAFT
41	38452051	C1433	NOZZLE ADJUSTMENT LEVER
42	41416077	C1433	BAIL / HANDLE FORK
43	38426080	C1433	FOOT PAD
44	43137047	C1433	HANDLE LEVER
45	35463011	C1433	HANDLE RETAINER PLATE
46	37954004	C1433	BAIL / HANDLE FORK COVER PLATE
47	012954--	C1433	SCREW
48	047450AY	C1433	PIVOT PIN
49	12002663	C1433	HANDLE ROLL PIN
50	048409FW	C1433	SPRING
51	019907--	C1433	BAG FLANGE CLAMP LEVER
52	161513--	C1433	SPRING
53	34252005	C1433	YOKE
54	32182001	C1433	WHEEL RETAINER
55	38521019	C1433	REAR WHEEL
56	43263003	C1433	CAM FOLLOWER - PLASTIC
57	41431013	C1433	WHEEL SHAFT AND SUPPORT
58	21312806	C1433	WASHER
59	35434040	C1433	AXLE / BAG FLANGE RETAINER
60	017001FW	C1433	SCREW - SELF TAPPING
61	047457AY	C1433	FRONT WHEEL SHAFT
62	37245081	C1433	BOTTOM PLATE - PLASTIC
63	21312724	C1433	WASHER
64	034791AG	C1433	FRONT WHEEL
65	21447020	C1433	SCREW
66	048422--	C1433	RIVET
67	21312781	C1433	SUPPORT WASHER
68	36153006	C1433	LATCH
69	017001FW	C1433	SCREW - SELF TAPPING
70	32277008	C1433	HANDLE CLAMP NUT
71	48414021	C1433	AGITATOR ASSEMBLY
	48445001	C1433	AGITATOR BRUSH



GUARDSMAN™



PART LISTING / PRICE LIST

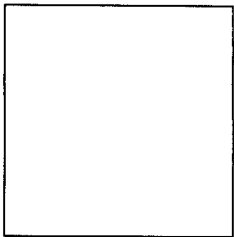
MODEL No.

C1433

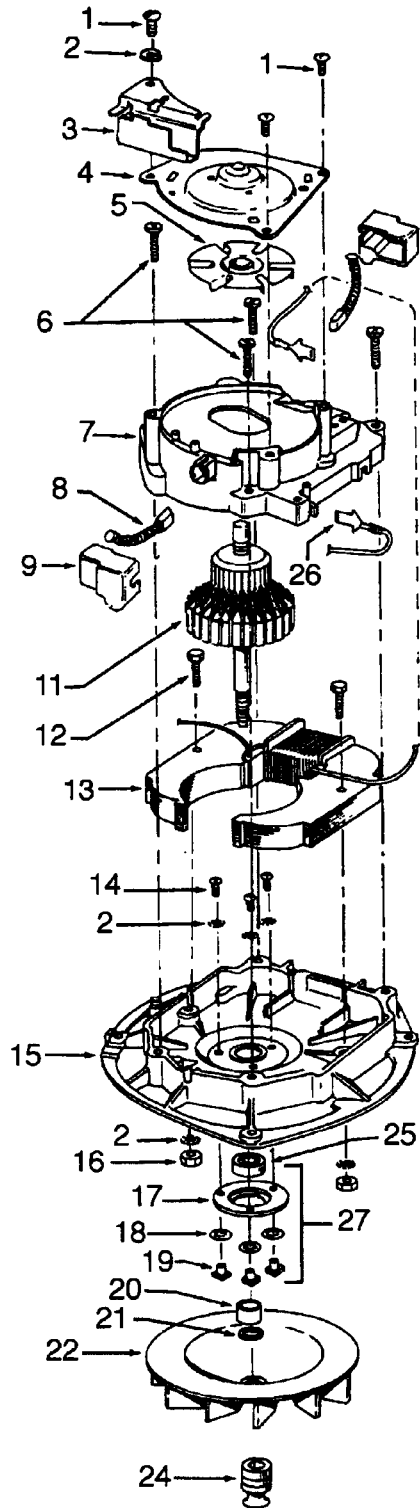
ITEM	PART NUMBER	MODELS TO FIT	PART DESCRIPTION
	048495AY	C1433	THREAD GUARD - LEFT
	41435070	C1433	AGITATOR END
	43267002	C1433	AGITATOR BEARING ASSEMBLY
	21347003	C1433	CONICAL WASHER
	012985AY	C1433	THREAD GUARD - RIGHT
	32724008	C1433	AGITATOR SHAFT
72	044783AG	C1433	BELT
73	34784021	C1433	AGITATOR RETAINING SPRING
74	21631302	C1433	HANDLE BOLT
75		C1433	PART NOT AVAILABLE
76	42242269	C1433	MAIN BODY / NOZZLE BASE
77	012559FW	C1433	SPRING
78	34665007	C1433	PIVOT PIN RETAINER
79	017001FW	C1433	SCREW - SELF TAPPING
80	012997AW	C1433	RIVET
81	36231042	C1433	FURNITURE GUARD
82	41119009	C1433	RETAINER AND SLEEVING
83	34287012	C1433	BAFFLE
84	21447220	C1433	SCREW
85	42251015	C1433	HOOD / NOZZLE COVER
86	43574193	C1433	MOTOR ASSEMBLY
	58216006	C1433	DIRT CUP MIDDLE
	58343025	C1433	FRONT SUPPORT
	58366012	C1433	REAR SUPPORT



GUARDSMAN™



ASSEMBLY SCHEMATIC

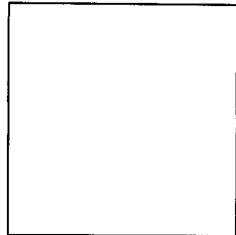


MODEL No.

C1433



GUARDSMAN™



PART LISTING / PRICE LIST

MODEL No.

C1433

ITEM	PART NUMBER	MODELS TO FIT	PART DESCRIPTION	
1	045533AY	C1433	SCREW	
2	014062--	C1433	LOCK WASHER	
3	41961009	C1433	INDICATOR GUIDE ASSEMBLY	
4	42934002	C1433	UPPER MOTOR BEARING	
5	38755004	C1433	VENTILATING FAN	
6	161535--	C1433	SCREW	
7	019857--	C1433	UPPER MOTOR CASING	
8	47318012	C1433	MOTOR BRUSH	
9	36315003	C1433	BRUSH CAP	
11	44768051	C1433	ARMATURE	
12	045118--	C1433	FIELD BOLT	
13	45412015	C1433	FIELD COIL	
14	21772501	C1433	SCREW	
15	42193006	C1433	MOTOR CASE - LEFT	
16	015673--	C1433	HEX NUT	
17	32184003	C1433	BEARING RETAINER - 8MM	
18	019772--	C1433	LOCK WASHER	
19	045251--	C1433	NUT	
20	31731002	C1433	FAN SPACER - 8MM	
21	166563--	C1433	WASHER	
22	38755011	C1433	FAN	
24	43251003	C1433	MOTOR PULLEY	
25	24152807	C1433	MOTOR BEARING - 8MM	
26	014320--	C1433	TERMINAL	
27	43267006	C1433	BEARING ASSEMBLY COMPLETE	
	35276006	C1433	INDICATOR GUIDE SPRING	