

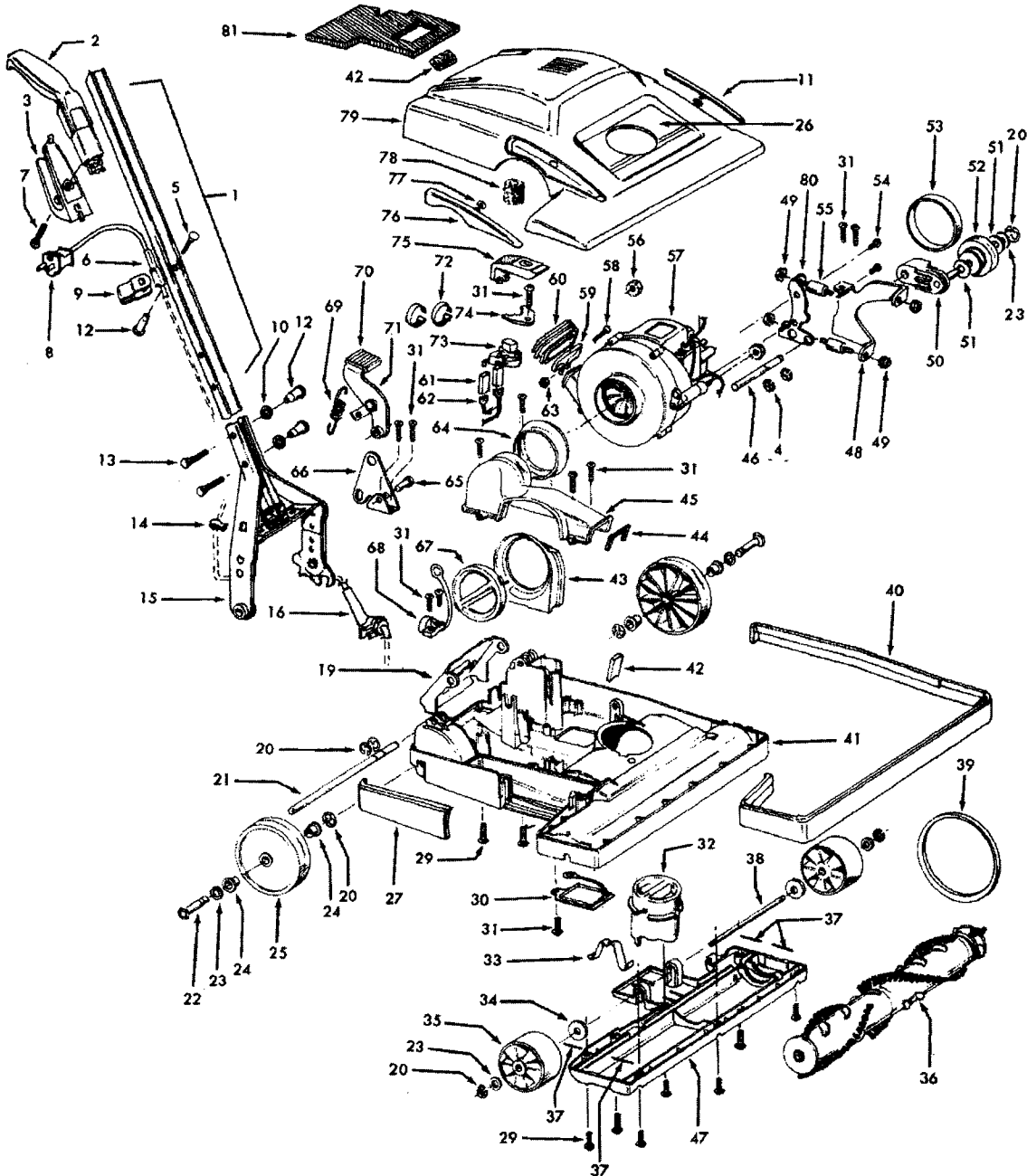


# Professional

## ASSEMBLY SCHEMATIC

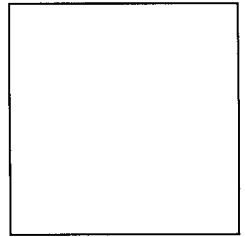
MODEL NO.

C1815





# Professional



## PART LISTING

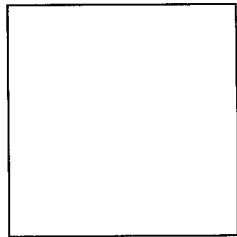
MODEL No.

C1815

ITEM	PART NUMBER	MODELS TO FIT	PART DESCRIPTION
1	48631149	C1815	HANDLE ASSEMBLY COMPLETE
	39467069	C1815	UPPER HANDLE
2	39454060	C1815	HANDLE GRIP ASSEMBLY
3	39442017	C1815	CORD HOOK
4	013730--	C1815	LOCK RING
5	21631301	C1815	HANDLE CLAMP BOLT
6	36215025	C1815	CORD PROTECTOR
7	21447215	C1815	SCREW - SELF TAPPING
8	91001025	C1815	POWER CORD
9	36172040	C1815	CORD RETAINER CLAMP
10	013704--	C1815	LOCK WASHER
11	36222012	C1815	WEAR STRIP - LEFT
12	32277008	C1815	HANDLE CLAMP NUT
13	21831024	C1815	HANDLE BOLT
14	36172015	C1815	CORD RETAINER
15	41416022	C1815	BAIL / HANDLE FORK
16	36216008	C1815	CORD PROTECTOR
19	42256106	C1815	EXHAUST FLANGE ASSEMBLY
20	160017--	C1815	LOCK RING
21	32563009	C1815	BAIL / HANDLE FORK SHAFT
22	32512001	C1815	REAR WHEEL AXLE
23	163110--	C1815	WASHER
24	162143--	C1815	REAR WHEEL BEARING
25	38522036	C1815	REAR WHEEL
26	51353002	C1815	HOOD / NOZZLE COVER NAME PLATE
27	36231154	C1815	FURNITURE GUARD - SHORT
29	21447215	C1815	SCREW - SELF TAPPING
30	35121001	C1815	ACCESS DOOR
31	21447003	C1815	SCREW
32	36436005	C1815	HEIGHT ADJUSTMENT CAP
33	38381005	C1815	SPRING
34	21312754	C1815	WASHER
35	38522034	C1815	FRONT WHEEL
36	48416036	C1815	AGITATOR ASSEMBLY COMPLETE
37	34122019	C1815	BOTTOM PLATE DUCT
38	32543005	C1815	FRONT AXLE



# Professional



## PART LISTING

MODEL No.

**C1815**

ITEM	PART NUMBER	MODELS TO FIT	PART DESCRIPTION
39	38528013	C1815	V-BELT
40	36231061	C1815	FURNITURE GUARD - LONG
41	37241115	C1815	MAIN BODY / NOZZLE BASE
42	34141005	C1815	MOTOR CUSHION
43	41119008	C1815	CAP LOCK ASSEMBLY
44	34253013	C1815	AIR DUCT GASKET
45	38657020	C1815	AIR DUCT
46	31534001	C1815	SHAFT PULLEY ARM SUPPORT
47	37245064	C1815	BOTTOM PLATE
48	36321006	C1815	MOTOR SUPPORT BRACKET
49	21852158	C1815	NUT
50	43256007	C1815	PULLEY ARM SHAFT
51	31158008	C1815	BEARING
52	43256002	C1815	PULLEY ASSEMBLY
53	38528036	C1815	BELT
54	017001FW	C1815	SCREW
55	32724010	C1815	SANDWICH MOUNT
56	21652005	C1815	HEX NUT
57	43574106	C1815	MOTOR - 6.5
58	21765140	C1815	SCREW
59	34797008	C1815	CLAMP BAND
60	38671008	C1815	EXHAUST FLANGE BELLOW
61	162961--	C1815	INSULATING POD
62	163055--	C1815	TERMINAL
63	015854EF	C1815	NUT
64	38671005	C1815	DUCT BOOT
65	32215002	C1815	SHAFT
66	35214009	C1815	FOOT LEVER SUPPORT
67	37257282	C1815	CAP
68	27478611	C1815	STRAIN RELIEF
69	38335008	C1815	SPRING
70	38426030	C1815	FOOT PAD
71	43151006	C1815	HANDLE LEVER
72	27479307	C1815	CABLE TIE
73	28212009	C1815	SWITCH
74	36171030	C1815	SWITCH CLAMP



# Professional

2

## PART LISTING

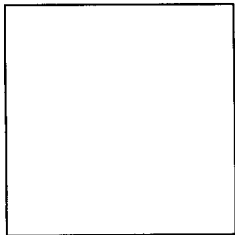
ITEM	PART NUMBER	MODELS TO FIT	PART DESCRIPTION	
75	38426047	C1815	SWITCH PEDAL	
76	36222021	C1815	WEAR STRIP - RIGHT	
77	21364102	C1815	SPEED NUT	
78	31164004	C1815	MOTOR CUSHION	
79	37252031	C1815	HOOD / NOZZLE COVER	
80	36321002	C1815	MOUNTING BRACKET	
81	38783005	C1815	INTAKE DUCT GASKET	

MODEL NO.

C1815

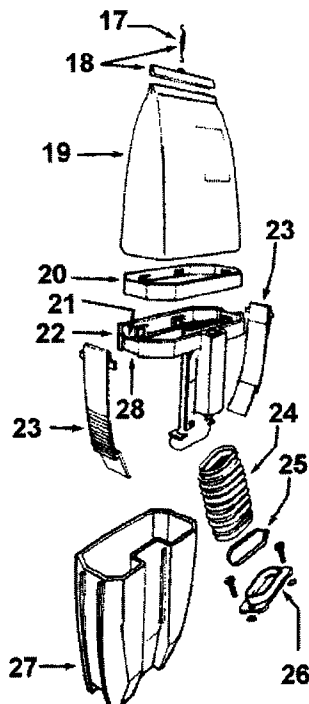
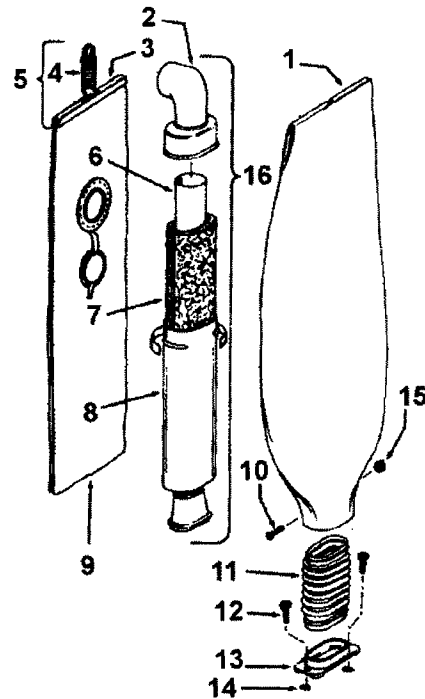


# Professional



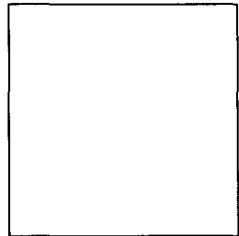
## ASSEMBLY SCHEMATIC

MODEL NO.  
C1815





# Professional



## PART LISTING

MODEL NO.

**C1815**

ITEM	PART NUMBER	MODELS TO FIT	PART DESCRIPTION
1	43678351	C1815	CLOTH BAG ASSEMBLY - COMPLETE
	43674225	C1815	CLOTH BAG ASSEMBLY
2	38657012	C1815	TOP FILL TUBE
3	36425033	C1815	BAG CLOSURE CLIP
4	38336019	C1815	CLIP SPRING
5	41128016	C1815	BAG CLIP AND SPRING ASSEMBLY
6	31746020	C1815	MUFFLER LINER
7	34133005	C1815	FOAM MUFFLER
8	37257083	C1815	MUFFLER HOUSING
9	43667054	C1815	INNER CLOTH BAG
	4010001A	C1815	TOP FILL PAPER BAG - 3 PACK
	4010100A	C1815	TOP FILL PAPER BAG / ALLERGEN - 3 PACK
10	017206--	C1815	SCREW
11	38673010	C1815	BELLOWS
12	36112002	C1815	SCREW
13	36425005	C1815	BAG FLANGE
14	013759--	C1815	LOCK RING
15	015854EF	C1815	NUT
16	42256012	C1815	MUFFLER ASSEMBLY
17	38336019	C1815	CLIP SUPPORT SPRING
18	41128016	C1815	BAG CLIP AND SPRING ASSEMBLY
19	43667057	C1815	CLOTH BAG
20	35173001	C1815	BAG EXPANDER
21	34122009	C1815	SEAL
22	41427012	C1815	DIRT CUP SUPPORT
23	36155011	C1815	LATCH
24	38673001	C1815	BELLOWS
25	049044--	C1815	CLAMP BAND
	015854EF	C1815	NUT
	017206--	C1815	SCREW
26	41424018	C1815	BAG FLANGE
27	38775001	C1815	DIRT CUP ASSEMBLY
28	34123020	C1815	GASKET

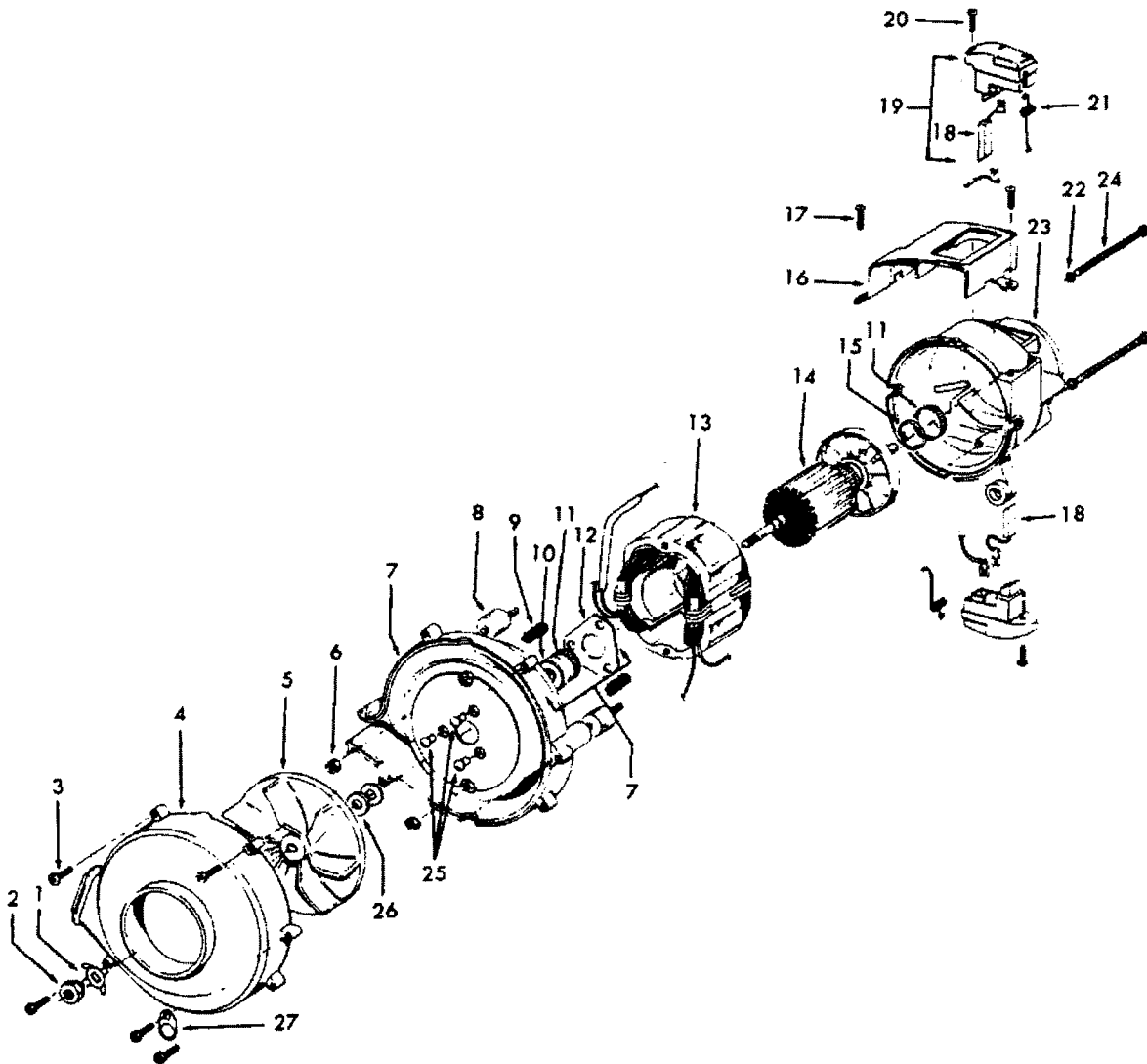


# Professional

## ASSEMBLY SCHEMATIC

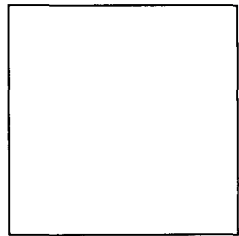
MODEL NO.

C1815





# Professional



## PART LISTING / PRICE LIST

MODEL NO.

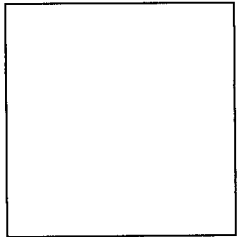
C1815

ITEM	PART NUMBER	MODELS TO FIT	PART DESCRIPTION	
1	36128003	C1815	LOCK WASHER	
2	33426001	C1815	NUT	
3	21447072	C1815	SCREW	
4	38736025	C1815	FAN CHAMBER COVER	
5	38755012	C1815	FAN	
6	21641557	C1815	NUT	
7	43588018	C1815	FAN CHAMBER ASSEMBLY	
8	32724015	C1815	SANDWICH MOUNT	
9	012854--	C1815	SPRING	
10	24152807	C1815	MOTOR BEARING - 8MM	
11	24198001	C1815	STAR RING	
12	012025--	C1815	MOTOR BEARING RETAINER	
13	90001007	C1815	FIELD COIL - 6.5	
	45311056	C1815	FIELD COIL - 5.2	
14	44765187	C1815	ARMATURE - 6.5	
	44765184	C1815	ARMATURE - 5.2	
15	21345115	C1815	WAVE SPRING WASHER	
16	37257086	C1815	AIR INTAKE DUCT	
17	21447041	C1815	SCREW	
18	47315010	C1815	BRUSH AND TERMINAL ASSEMBLY	
19	47318008	C1815	BRUSH CARRIER ASSEMBLY	
20	21479302	C1815	SCREW	
21	38353004	C1815	SPRING	
22	21338006	C1815	LOCK WASHER	
23	37191090	C1815	MOTOR HOUSING	
24	21563061	C1815	SCREW	
25	012503EF	C1815	RIVET - SEMI TUBULAR	
26	166563--	C1815	WASHER	
27	045517--	C1815	WIRE HOLDER	





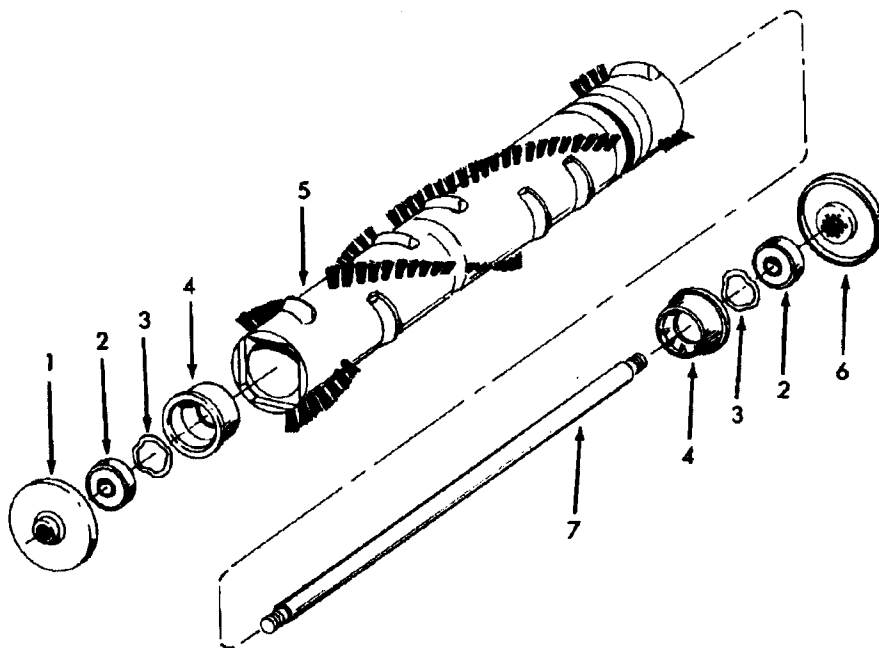
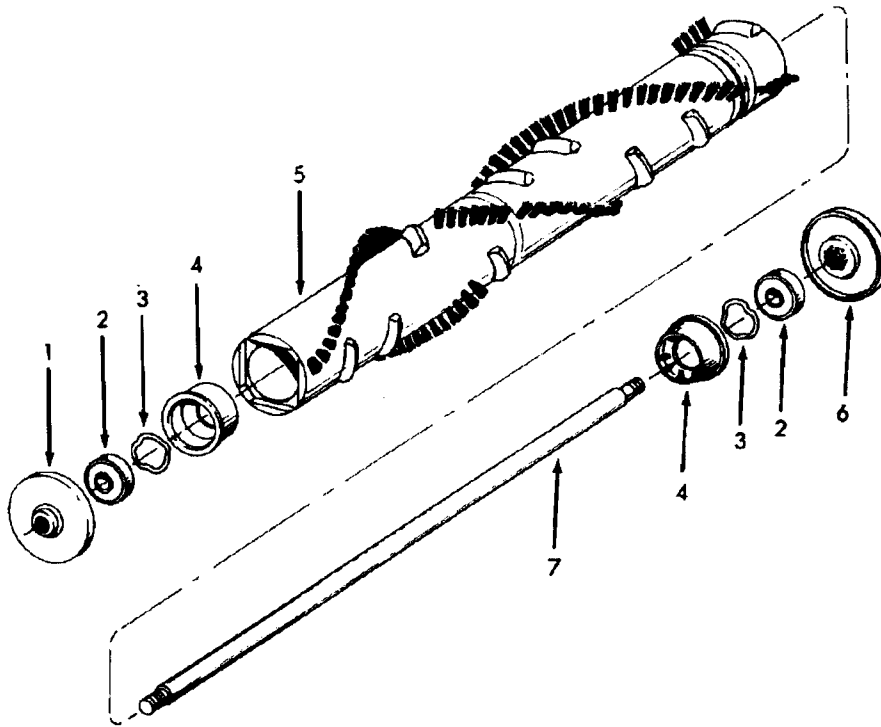
# Professional



## ASSEMBLY SCHEMATIC

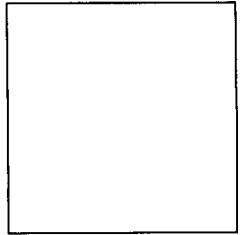
MODEL NO.

C1815





# Professional



## PART LISTING

MODEL No.

**C1815**

ITEM	PART NUMBER	MODELS TO FIT	PART DESCRIPTION	
1	41435066	C1815	THREAD GUARD ASSEMBLY	
2	24152807	C1815	BEARING - MOTOR	
3	21345113	C1815	WAVE SPRING WASHER	
4	36422004	C1815	AGITATOR END	
5	48416013	C1815	AGITATOR BODY - 14"	
	48416017	C1815	AGITATOR BODY - 18"	
6	41435061	C1815	THREAD GUARD ASSEMBLY	
7	32873007	C1815	AGITATOR SHAFT - 14"	
	32873004	C1815	AGITATOR SHAFT - 18"	
	48416035	C1815	AGITATOR ASSEMBLY COMPLETE - 14"	
	48416036	C1815	AGITATOR ASSEMBLY COMPLETE - 18"	