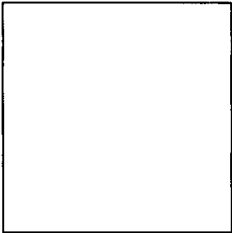




Shoulder Vac Pro

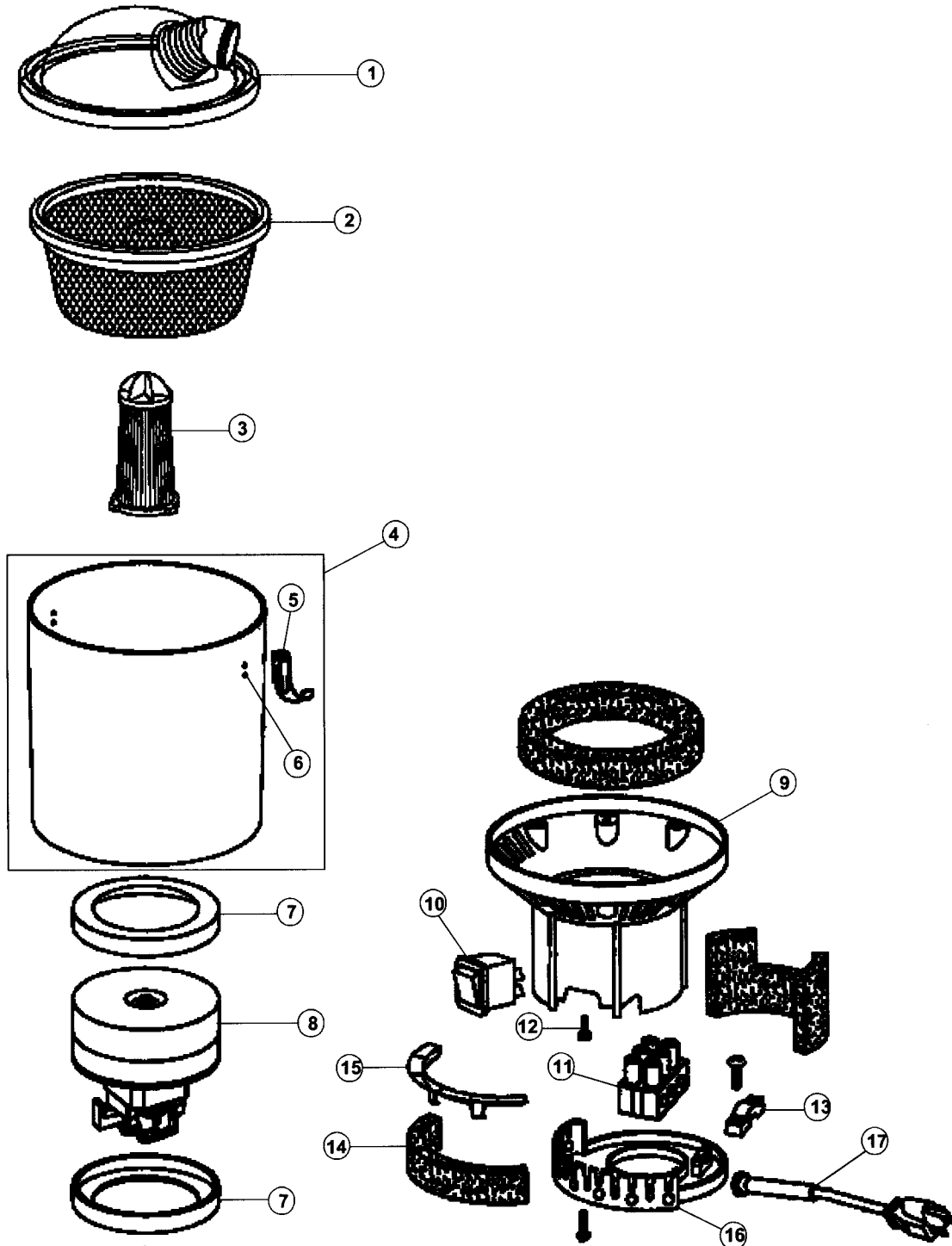
COMMERCIAL BACK PACK CLEANING SYSTEM



ASSEMBLY SCHEMATIC

MODEL No.

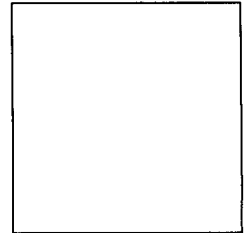
C2401





Shoulder Vac Pro

COMMERCIAL BACK PACK CLEANING SYSTEM



PART LISTING

MODEL No.

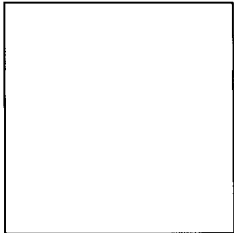
C2401

ITEM	PART NUMBER	MODELS TO FIT	PART DESCRIPTION
1	2KE2100000	C2401	TOP DOME LID ASSEMBLY
2	2KE2105000	C2401	DUST BAG W/RUBBER RING
3	2KE2110000	C2401	HEPA FILTER
4	2KE0200000	C2401	MAIN CANISTER BODY COMPLETE
5	1KE0205000	C2401	TOGGLE LATCH
6	1KE0206000	C2401	RIVET
7	1KE0210000	C2401	MOTOR GASKET
8	2KE0210000	C2401	MOTOR ASSEMBLY
9	1KE0225BG0	C2401	INTERMEDIATE HOUSING
10	1KE2140000	C2401	ROCKER SWITCH
11	1KE0275000	C2401	WIRING LOOM - INCLUDES THERMAL
12	1KE0245000	C2401	SCREW - 5mm
13	1KE0260600	C2401	CABLE CLAMP
14	1KE2155000	C2401	EXTERNAL MOTOR FILTER
15	1KE2150000	C2401	EXTERNAL MOTOR FILTER CAGE
16	1KE0281600	C2401	BOTTOM CAP
17		C2401	POWER CORD PIGTAIL - 10 AMP
	1KE2103000 3KE2103000	C2401	TYPE BP PAPER BAG - BULK TYPE BP PAPER BAG - 7 PACK



Shoulder Vac Pro

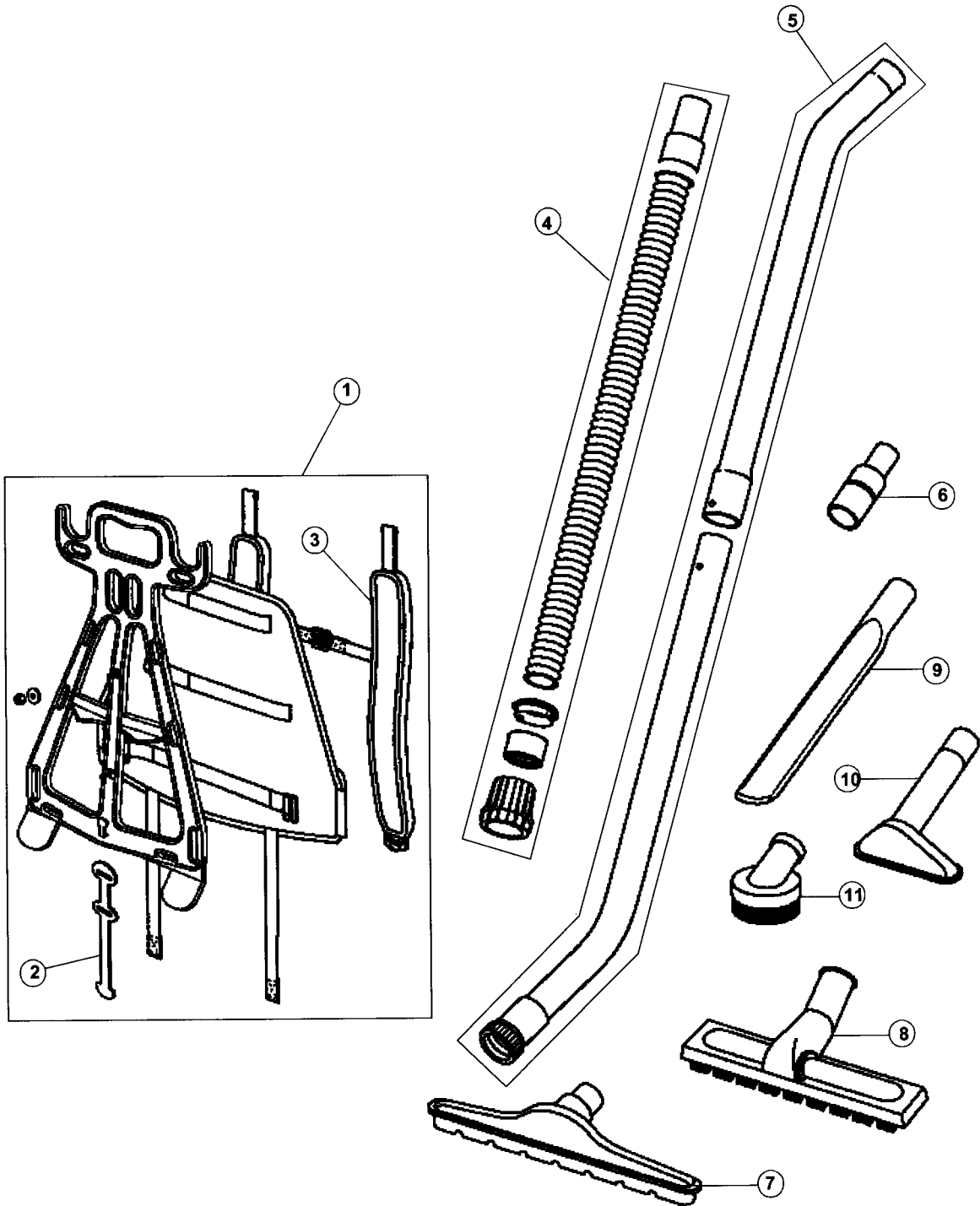
COMMERCIAL BACK PACK CLEANING SYSTEM



ASSEMBLY SCHEMATIC

MODEL No.

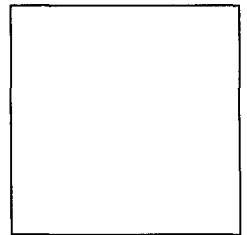
C2401





Shoulder Vac Pro

COMMERCIAL BACK PACK CLEANING SYSTEM



PART LISTING

MODEL No.

C2401

ITEM	PART NUMBER	MODELS TO FIT	PART DESCRIPTION	LIST COST
1	2KE2185000	C2401	HARNES ASSEMBLY COMPLETE	
2	1KE0425600	C2401	CORD RESTRAINT	
3	1KE0430600	C2401	SHOULDER STRAP	
4	2KE2200000	C2401	HOSE ASSEMBLY COMPLETE	
5	2KE2225000	C2401	TELESCOPIC WAND ASSEMBLY	
6	1KE2255000	C2401	CONNECTOR	
7	2KE2235000	C2401	FLOOR TOOL 1-1/2	
8	2KE2410000	C2401	FLOOR BRUSH TOOL 1-1/2	
9	1KE2250000	C2401	CREVICE TOOL 1-1/2	
10	2KE2245000	C2401	DUSTING BRUSH 1-1/2	
11	2KE2240000	C2401	UPHOLSTREY TOOL 1-1/2	
	C9315	C2401	ATTACHMENT KIT 1-1/4	