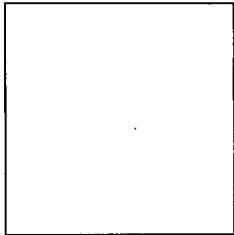




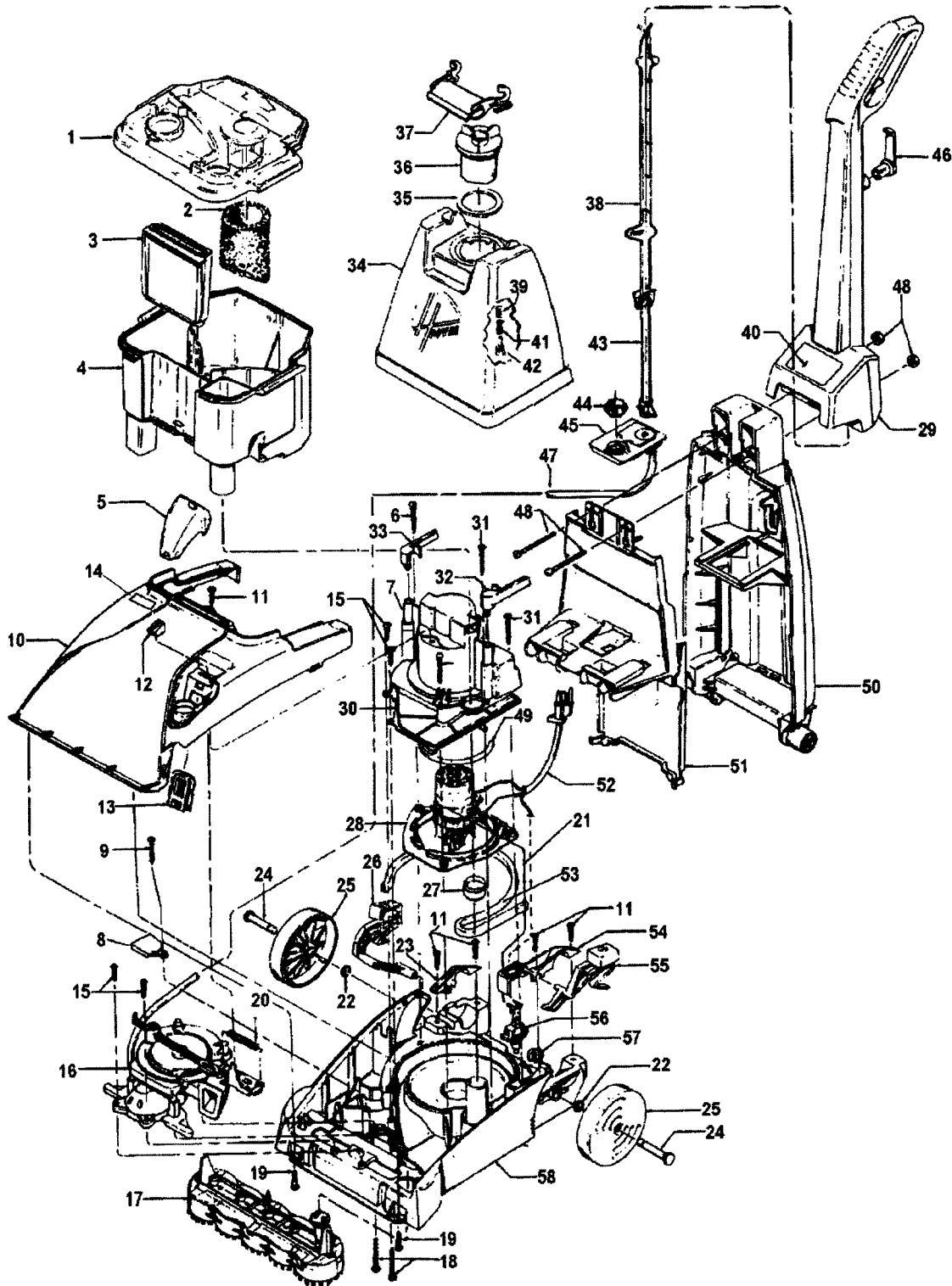
SteamVac™



ASSEMBLY SCHEMATIC

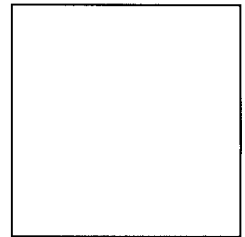
MODEL NO.

C3820





SteamVac™



PART LISTING

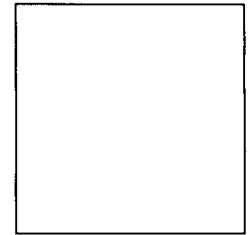
MODEL No.

C3820

ITEM	PART NUMBER	MODELS TO FIT	PART DESCRIPTION
1	42272111	C3820	RECOVERY TANK LID WITH FILTER
2	90001398	C3820	TANK FILTER
3	38661003	C3820	DUCT
4	38777081	C3820	RECOVERY TANK ASSEMBLY
5	39383106	C3820	LENS
6	21447246	C3820	SCREW
7		C3820	POST
8	37911083	C3820	INLET CAP
9	21447217	C3820	SCREW - SELF TAPPING
10	37271057	C3820	HOOD / NOZZLE ASSEMBLY
11	21447020	C3820	SCREW
12	38421093	C3820	INDICATOR KNOB
13	43613009	C3820	SCREEN ASSEMBLY
14	51669080	C3820	HOOD / NOZZLE NAME PLATE
15	21447217	C3820	SCREW - SELF TAPPING
16	90001354	C3820	TURBINE AND GEAR
17	48437022	C3820	BRUSH BLOCK
18	21479438	C3820	SCREW
19	21447072	C3820	SCREW
20	38333009	C3820	SPRING
21	49811039	C3820	LEAD WIRE - BLACK
22	160017--	C3820	LOCK RING
23	36131085	C3820	TRUNION COVER - RIGHT
24	32434007	C3820	REAR AXLE
25	38522076	C3820	REAR WHEEL
26	38458042	C3820	HANDLE RELEASE LEVER
27	38784063	C3820	STANDPIPE SEAL
28	43576202	C3820	MOTOR ASSEMBLY
	41311016	C3820	BRUSH HOLDER ASSEMBLY
29	90001258	C3820	UPPER HANDLE ASSEMBLY
30	40309027	C3820	MOTOR COVER ASSEMBLY
31	21447232	C3820	SCREW - SELF TAPPING
32	36151029	C3820	TANK RELEASE LATCH - LEFT
33	36151019	C3820	TANK RELEASE LATCH - RIGHT
34	42272134	C3820	SOLUTION TANK ASSEMBLY
35	38784062	C3820	GASKET



SteamVac™



PART LISTING

MODEL No.

C3820

ITEM	PART NUMBER	MODELS TO FIT	PART DESCRIPTION
36	12002693	C3820	SOLUTION TANK AND CAP ASSEMBLY
37	39457016	C3820	SOLUTION TANK HANDLE
38	38458031	C3820	UPPER CONTROL ROD
39	38342014	C3820	SPRING
40		C3820	UPPER HANDLE NAME PLATE
41	38784061	C3820	VALVE SEAL
42	38717009	C3820	VALVE STEM
43	38458033	C3820	LOWER CONTROL ROD
44	38784060	C3820	SOLUTION TANK SEAL
45	43516007	C3820	RESERVOIR ASSEMBLY WITH SEAL
46	39442041	C3820	CORD WRAP
47	40309002	C3820	SERVICE TUBING
48	40201145	C3820	HARDWARE KIT ASSEMBLY
49	34113004	C3820	MOTOR SEAL
50	39466033	C3820	LOWER HANDLE
51	37276001	C3820	HANDLE COVER
52	46583048	C3820	POWER CORD - 35' / 3 WIRE
53	38781048	C3820	MOTOR BASE SEAL
54	36131086	C3820	TRUNION COVER - LEFT
55	38434025	C3820	SWITCH ACTUATOR LEVER
56	90001106	C3820	SWITCH
57	90001281	C3820	CORD RETAINER
58	42274005	C3820	MAIN BODY / NOZZLE BASE
	38784070	C3820	FLOAT RETAINER STEAM SEAL
	43538001	C3820	FLOAT ASSEMBLY
	58313006	C3820	HANDLE PROTECTOR
	58315006	C3820	REAR SUPPORT
	58332024	C3820	BOTTOM REAR SUPPORT
	58364017	C3820	MIDDLE SUPPORT
	58461019	C3820	FRONT REAR SUPPORT
	38719027	C3820	FLOAT RETAINER