

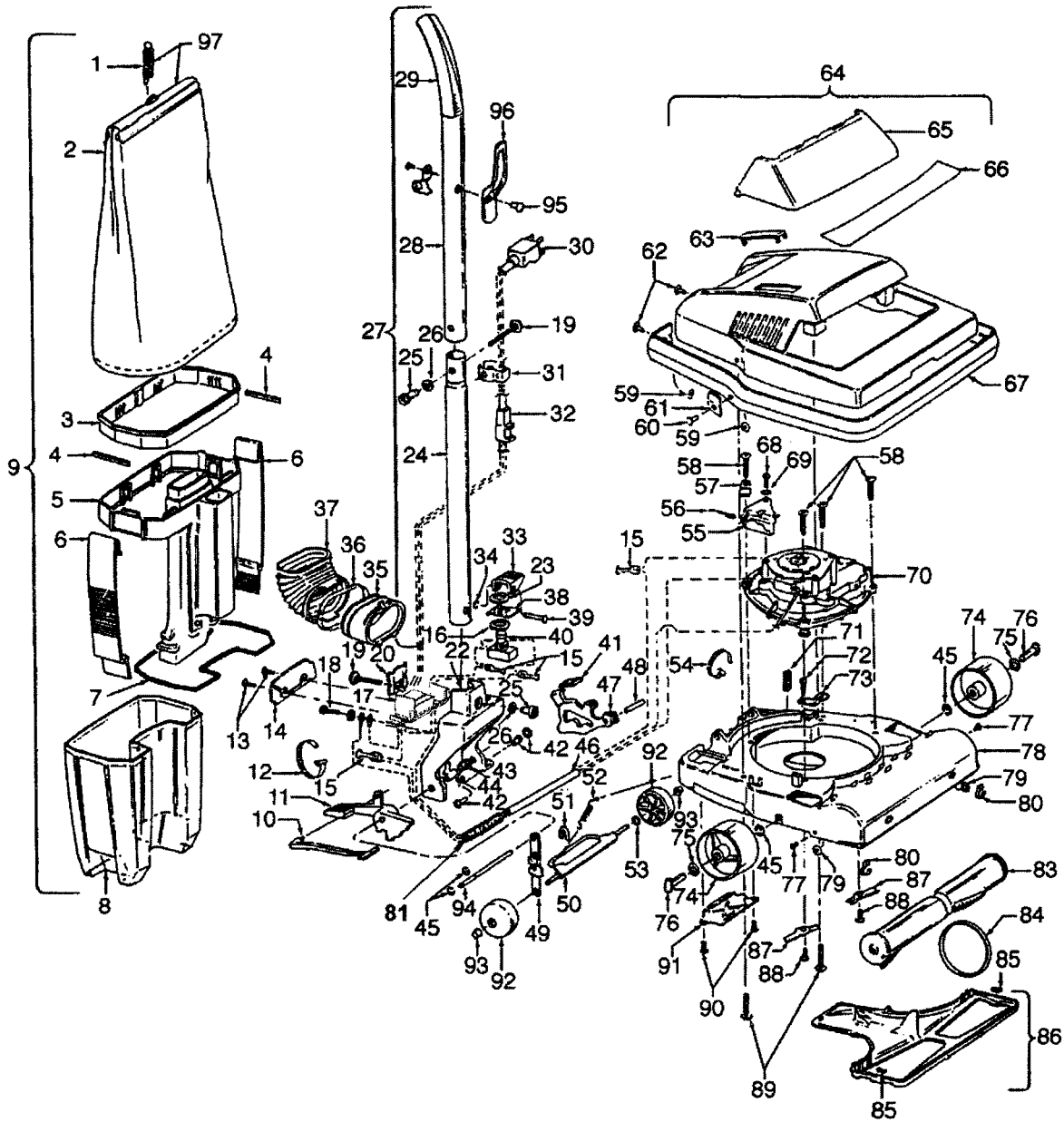


COMMERCIAL Professional

ASSEMBLY SCHEMATIC

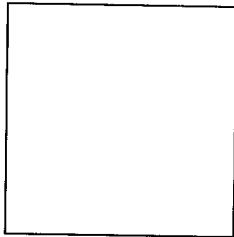
MODEL NO.

C1633
C1634





COMMERCIAL Professional



PART LISTING / PRICE LIST

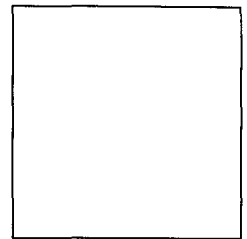
MODEL NO.

C1633
C1634

ITEM	PART NUMBER	MODELS TO FIT	PART DESCRIPTION
1	38335009	C1633, C1634	SUPPORT SPRING
2	43667056	C1633, C1634	CLOTH BAG ASSEMBLY (C1633)
3	35173001	C1633, C1634	EXPANDER
4	34122009	C1633, C1634	SEAL
5	41427013	C1633, C1634	DUST CUP SUPPORT
6	36155011	C1633, C1634	LATCH
7	34123020	C1633, C1634	GASKET
8	38775001	C1633, C1634	DIRT CUP
9	43675188	C1633, C1634	DIRT CUP AND BAG ASSEMBLY
10	51151037	C1633, C1634	INDICATOR
11	38456044	C1633, C1634	NOZZLE ADJUSTMENT LEVER
12	27479307	C1633, C1634	CABLE TIE
13	012954--	C1633, C1634	SCREW
14	37954004	C1633, C1634	BAIL / HANDLE FORK COVER PLATE
15	048969--	C1633, C1634	WIRE NUT
16	21354155	C1633, C1634	LOCK WASHER
17	36913026	C1633, C1634	INSULATOR / STRAIN RELIEF
18	23187363	C1633, C1634	SCREW
19	21631302	C1633, C1634	HANDLE BOLT
20	35463011	C1633, C1634	HANDLE RETAINER PLATE
21		C1633, C1634	PART NOT AVAILABLE
22	41416064	C1633, C1634	BAIL / HANDLE FORK
23	012560--	C1633, C1634	NUT
24	48631134	C1633, C1634	LOWER HANDLE
25	32277008	C1633, C1634	HANDLE CLAMP NUT
26	013704--	C1633, C1634	LOCK WASHER
27	48646093	C1633, C1634	HANDLE ASSEMBLY
28	48643091	C1633, C1634	UPPER HANDLE
29	39454070	C1633, C1634	HANDLE GRIP
30	46583009	C1633, C1634	POWER CORD - 50'
31	34785017	C1633, C1634	CORD RETAINER
32	36215025	C1633, C1634	CORD PROTECTOR
33	38424003	C1633, C1634	SWITCH PEDAL
34	24735022	C1633, C1634	CIRCULAR CLIP
35	41424011	C1633, C1634	BAG FLANGE WITH SEALANT
36	36425023	C1633, C1634	CLAMP



COMMERCIAL Professional



PART LISTING / PRICE LIST

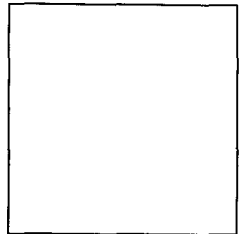
MODEL No.

C1633
C1634

ITEM	PART NUMBER	MODELS TO FIT	PART DESCRIPTION	
37	38673001	C1633, C1634	BELLOWS	
38	35217006	C1633, C1634	MOUNTING BRACKET	
39	613802AY	C1633, C1634	SHAFT	
40	28212017	C1633, C1634	SWITCH	
41	38426080	C1633, C1634	FOOT PAD	
42	12002663	C1633, C1634	HANDLE ROLL PIN	
43	048409FW	C1633, C1634	SPRING	
44	019907--	C1633, C1634	BAG FLANGE CLAMP LEVER	
45	013730--	C1633, C1634	LOCK RING	
46	46515007	C1633, C1634	CORD / TUBING ASSEMBLY	
47	38456050	C1633, C1634	HANDLE LEVER	
48	047450AY	C1633, C1634	PIVOT PIN	
49	43263005	C1633, C1634	CAM FOLLOWER - PLASTIC	
50	41431013	C1633, C1634	WHEEL SHAFT AND SUPPORT	
51	34252005	C1633, C1634	YOKE	
52	161513--	C1633, C1634	SPRING	
53	21312806	C1633, C1634	WASHER	
54	27479307	C1633, C1634	CABLE TIE	
55	41961009	C1633, C1634	INDICATOR GUIDE ASSEMBLY	
56	35276006	C1633, C1634	INDICATOR GUIDE SPRING	
57	41119009	C1633, C1634	RETAINER AND SLEEVING	
58	21447220	C1633, C1634	SCREW	
59	168278AY	C1633, C1634	WASHER	
60	012997AW	C1633, C1634	RIVET	
61	36951004	C1633, C1634	RETAINER	
62	21256134	C1633, C1634	RIVET	
63	48111008	C1633, C1634	INDICATOR LENS	
64	42251336	C1633, C1634	HOOD / NOZZLE COVER (C1633)	
65	37246044	C1633, C1634	HOOD PANEL (C1633)	
66	52115214	C1633, C1634	HOOD NAME PLATE	
67	36231151	C1633, C1634	FURNITURE GUARD	
68	045533AY	C1633, C1634	SCREW	
69	014062--	C1633, C1634	LOCK WASHER	
70	43574191	C1633, C1634	MOTOR AND SEAL KIT	
71	012559FW	C1633, C1634	SPRING	
72	017001FW	C1633, C1634	SCREW - SELF TAPPING	



COMMERCIAL Professional



PART LISTING / PRICE LIST

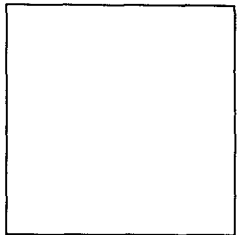
MODEL No.

C1633
C1634

ITEM	PART NUMBER	MODELS TO FIT	PART DESCRIPTION
73	34665007	C1633, C1634	PIVOT PIN RETAINER
74	034791AG	C1633, C1634	FRONT WHEEL
75	21312724	C1633, C1634	WASHER
76	047457AY	C1633, C1634	FRONT WHEEL SHAFT
77	048422--	C1633, C1634	RIVET
78	42242277	C1633, C1634	MAIN BODY - NOZZLE BASE
79	21312781	C1633, C1634	SUPPORT WASHER
80	34784021	C1633, C1634	AGITATOR RETAINING SPRING
81	38313023	C1633, C1634	MOTOR LEAD SPRING
82		C1633, C1634	PART NOT AVAILABLE
83	48414021	C1633, C1634	AGITATOR ASSEMBLY
	012985AY	C1633, C1634	THREAD GUARD - RIGHT
	035366--	C1633, C1634	THRUST SPRING
	21347003	C1633, C1634	CONICAL WASHER
	32724008	C1633, C1634	AGITATOR SHAFT
	41435070	C1633, C1634	AGITATOR END ASSEMBLY
	43267002	C1633, C1634	AGITATOR BEARING ASSEMBLY
	48445001	C1633, C1634	AGITATOR BRUSH
	048495AY	C1633, C1634	THREAD GUARD - LEFT
84	044783AG	C1633, C1634	BELT
85		C1633, C1634	PART NOT AVAILABLE
86	37245081	C1633, C1634	BOTTOM PLATE / NOZZLE GUARD - PLASTIC
87	36153006	C1633, C1634	LATCH
88	017001FW	C1633, C1634	SCREW - SELF TAPPING
89	21447020	C1633, C1634	SCREW
90	017001FW	C1633, C1634	SCREW - SELF TAPPING
91	35434040	C1633, C1634	AXLE / BAG FLANGE RETAINER
92	38521019	C1633, C1634	REAR WHEEL
93	32182001	C1633, C1634	WHEEL REATINER
94	161509AY	C1633, C1634	BAIL / HANDLE FORK SHAFT
95	21256094	C1633, C1634	RIVET
96	39441016	C1633, C1634	CORD CLIP
97	41128021	C1633, C1634	BAG CLIP AND SPRING
	58216006	C1633, C1634	DIRT CUP MIDDLE
	58343025	C1633, C1634	FRONT SUPPORT
	58366012	C1633, C1634	REAR SUPPORT



COMMERCIAL Professional

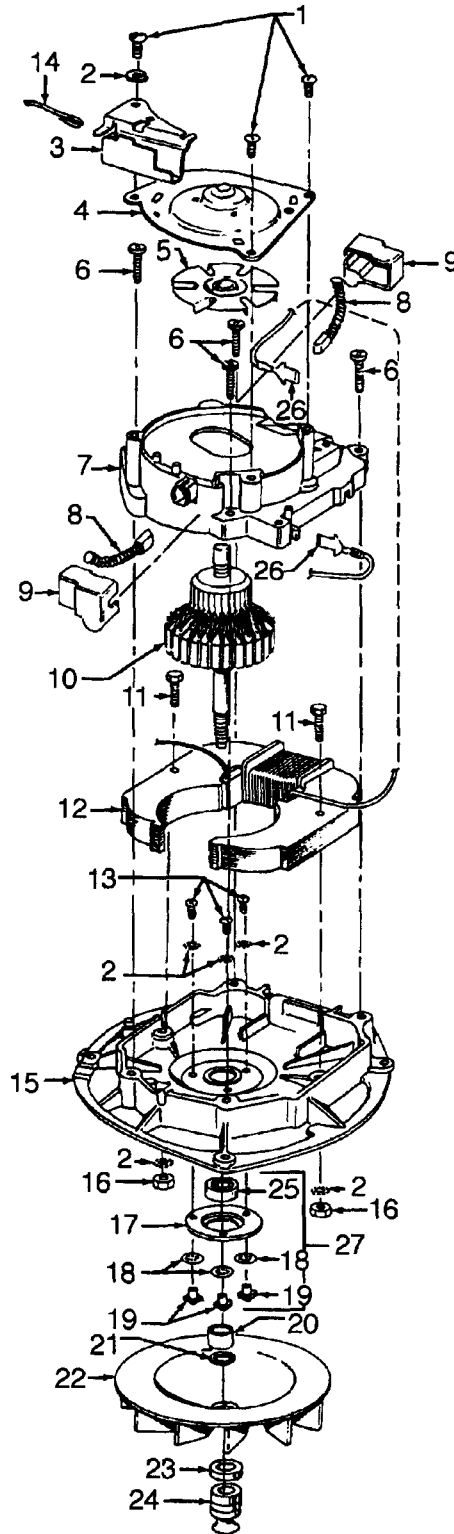


ASSEMBLY SCHEMATIC

MODEL NO.

C1633

C1634





COMMERCIAL Professional

PART LISTING / PRICE LIST

ITEM	PART NUMBER	MODELS TO FIT	PART DESCRIPTION
1	045533AY	C1633, C1634	SCREW
2	014062--	C1633, C1634	LOCK WASHER
3	41961009	C1633, C1634	INDICATOR GUIDE ASSEMBLY
4	42934002	C1633, C1634	UPPER MOTOR BEARING
5	38755005	C1633, C1634	VENT FAN - PLASTIC
6	161535--	C1633, C1634	SCREW
7	42195003	C1633, C1634	UPPER MOTOR CASING
8	47318012	C1633, C1634	MOTOR BRUSH
9	36315003	C1633, C1634	BRUSH CAP
10	44768043	C1633, C1634	ARMATURE
11	045118--	C1633, C1634	FIELD BOLT
12	45412015	C1633, C1634	FIELD COIL
13	21772501	C1633, C1634	SCREW
14	35276006	C1633, C1634	INDICATOR GUIDE
15	42193006	C1633, C1634	MOTOR CASE - LEFT
16	015673--	C1633, C1634	HEX NUT
17	32184003	C1633, C1634	BEARING RETAINER - 8MM
18	019772--	C1633, C1634	LOCK WASHER
19	045251--	C1633, C1634	NUT
20	31731002	C1633, C1634	FAN SPACER - 8MM
21	166563--	C1633, C1634	WASHER
22	38755011	C1633, C1634	FAN
23	31162004	C1633, C1634	WASHER - HEAT INSULATION
24	38532005	C1633, C1634	MOTOR PULLEY - HEAT IN
25	24152807	C1633, C1634	MOTOR BEARING - 8MM
26	014320--	C1633, C1634	TERMINAL
27	43267006	C1633, C1634	BEARING ASSEMBLY

MODEL No.

C1633

C1634