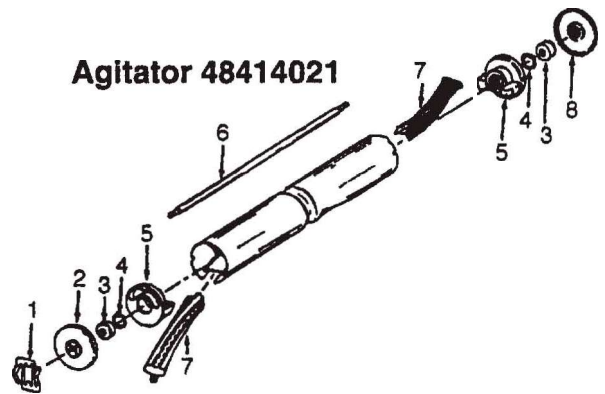


Ref. No.	Part No.	Description
1	43675187	Outer Bag Comp.
2	41128007	Bag Clip & Spring - AG
3	43674221	Cloth Bag - AAW/AG
4	17206	Screw
5	15854EF	Nut
6	38657004	Top Fill Tube
7	48646093	Handle Comp. - AX
8	39454070	Handle Grip - BU
9	48643091	Handle - Upper Half - AX
10	46583009	Attach. Cord - 50' - AAW
11	21631302	Handle Bolt (2)
12	13704	Lock Washer (2)
13	32277008	Handle Nut (2)
14	34785017	Cord Retaining Clamp - AX
15	36215025	Cord Protector - AAW
16	48631134	Lower Handle - AX
17	24735022	Circlip
18	38424003	Switch Pedal - PH
19	35217006	Mounting Bracket
20	613802AY	Shaft
21	38426080	Foot Pad - AG
22	28212017	Switch
23	48969	Wire Nut (4)
24	12560	Switch Nut
25	41416064	Bail Assem. - (Inc. items 11, 12, 13, 27, 29, 30)
26	N/A	
27	35463011	Handle Retainer Plate
28	23187363	Screw - Self Tapping
29	36913026	Insulator / Strain Relief
30	37954004	Bail Cover Plate - AG
31	N/A	
32	27479307	Cable Tie
33	38456044	Nozzle Adj. Lever - AG
34	21354155	Lock Washer - Special
35	161509AY	Bail Shaft
36	13730	Lock Ring (4)
37	51151034	Indicator - AG
38	11735	Roller Detent Assem.
39	19907	Bag Flange Clamp Lever
40	48409FW	Spring
41	46515007	Bail Cord/Tubing Assem.
42	34252005	Yoke
43	161513	Spring
44	38456050	Handle Control Lever
45	47450AY	Pivot Pin
46	27479307	Lead Wire Tie
47	41961009	Indicator Guide
48	35276006	Indicator Guide Spring
49	41119009	Retainer & Sleeving Assem.
50	21447211	+* Screw - Self Tapping (4)
51	168278AY	+* Washer (4)
52	12997AW	Rivet (2)
53	36951004	Retainer (2)
54	21256134	Rivet (2)
55	39382011	Indicator Lens
56	42251336	Hood Assem. - AG
57	37246044	Panel - AG
58	52115214	+ Hood Nameplate
59	36231151	Furniture Guard - BU
60	45533AY	Screw
61	14062	Lock Washer
62	40309020	Motor Assem. - (P -195)
63	12559FW	Spring
64	21447229	Screw - Self Tapping
65	34665007	Pivot Pin Retainer
66	34791AG	Carrier Wheel (2)

Ref. No.	Part No.	Description
67	21312724	Washer (2)
68	47457AY	Wheel Shaft (2)
69	48422	Rivet - Tubular (2)
70	42242277	Main Body - AG
71	21312781	Washer (2)
72	34784021	Agitator Retaining Spring - AY (2)
73	4010100A	Throw Away Bag (3 Pack)
74	N/A	
75	48414021	Agitator Assem. Comp. - HE
76	44783AG	Belt
77	38313023	Motor Lead Spring
78	37245081	Bottom Plate Assem. - AG
79	36153006	Bottom Plate Latch (2)
80	21447229	Screw - Self Tapping (2)
81	21447020	Screw - Self Tapping (2)
82	21447229	Screw - Self Tapping (2)
83	35434040	Axle/Bag Flange Retainer
84	21312806	Washer
85	41431013	Wheel Shaft & Support Assem.
86	43263005	Cam Follower
87	38521019	Rear Wheel - AG (2)
88	32182001	Wheel Retainer (2)
89	21256094	Rivet
90	39441016	Cord Clip - AG
91	41424011	Bag Flange & Gasket
92	38673009	Bellows
93	38336019	Support Spring

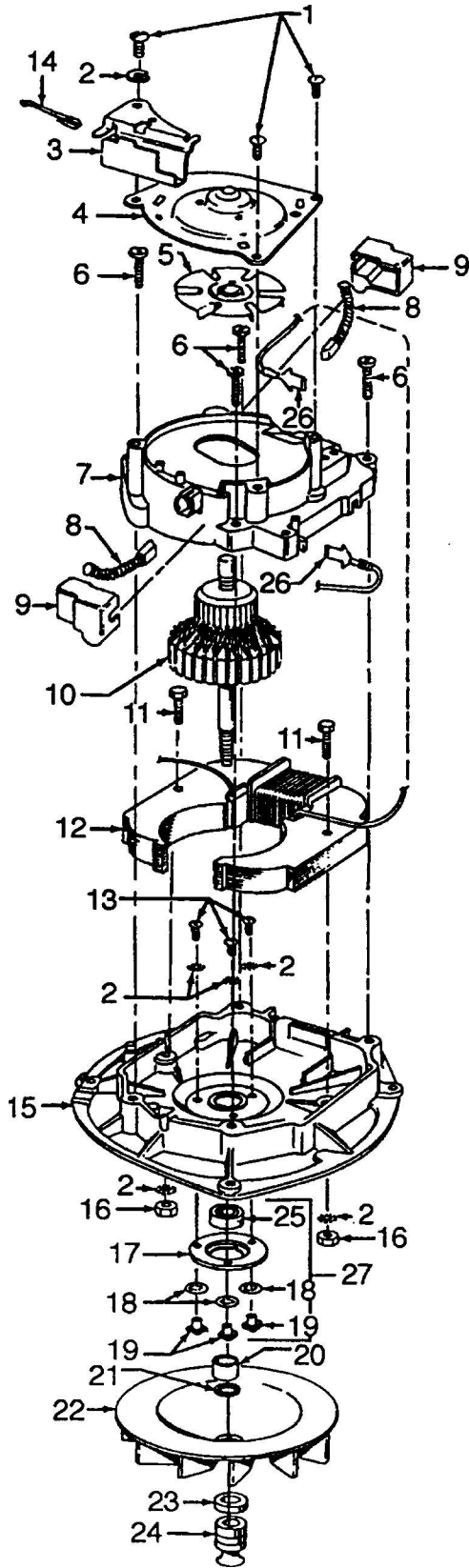
PACKAGING MATERIAL

56711150	+	Assem. Instruction Sheet
56711151	+	Operation Instruction Folder
58175137	+	Carton
58343033		Front Support
58366098		Rear Support



Ref. No.	Part No.	Description
1	35366	Thrust Spring
2	48495AY	Thread Guard - LH
3	43267002	Bearing
4	21347003	Washer
5	41435070	End
6	32724008	Shaft
7	48445001	Agitator Brush
8	12985AY	Thread Guard - RH

Motor 40309020
I-Speed w/o Guide



Ref. No.	Part No.	Description
1	45533AY	Screw
2	14062	Washer
3	41961009	Indicator Guide
4	42934002	Motor Casing Cap Assm.
5	38755005	Vent Fan
6	161535	Screw
7	42195003	Upper Motor Casing
8	47318012	Carbon Brush
9	36315003	Brush Insulator
10	44768043	Armature
11	45118	Bolt
12	45412015	Field Coil
13	21772501	Screw
14	35276006	Indicator Guide Spring
15	42193006	Lower Motor Case
16	15673	Nut
17	32184003	Retainer
18	19772	Washer
19	45251	Nut
20	31731002	Spacer
21	166563	Washer
22	38755011	Fan - Poly
23	31162004	Washer - Heat Insulating
24	38532009	Motor Pulley
25	24152807	Bearing
26	14320	Terminal
27	43267006	Bearing Kit