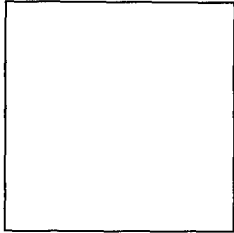




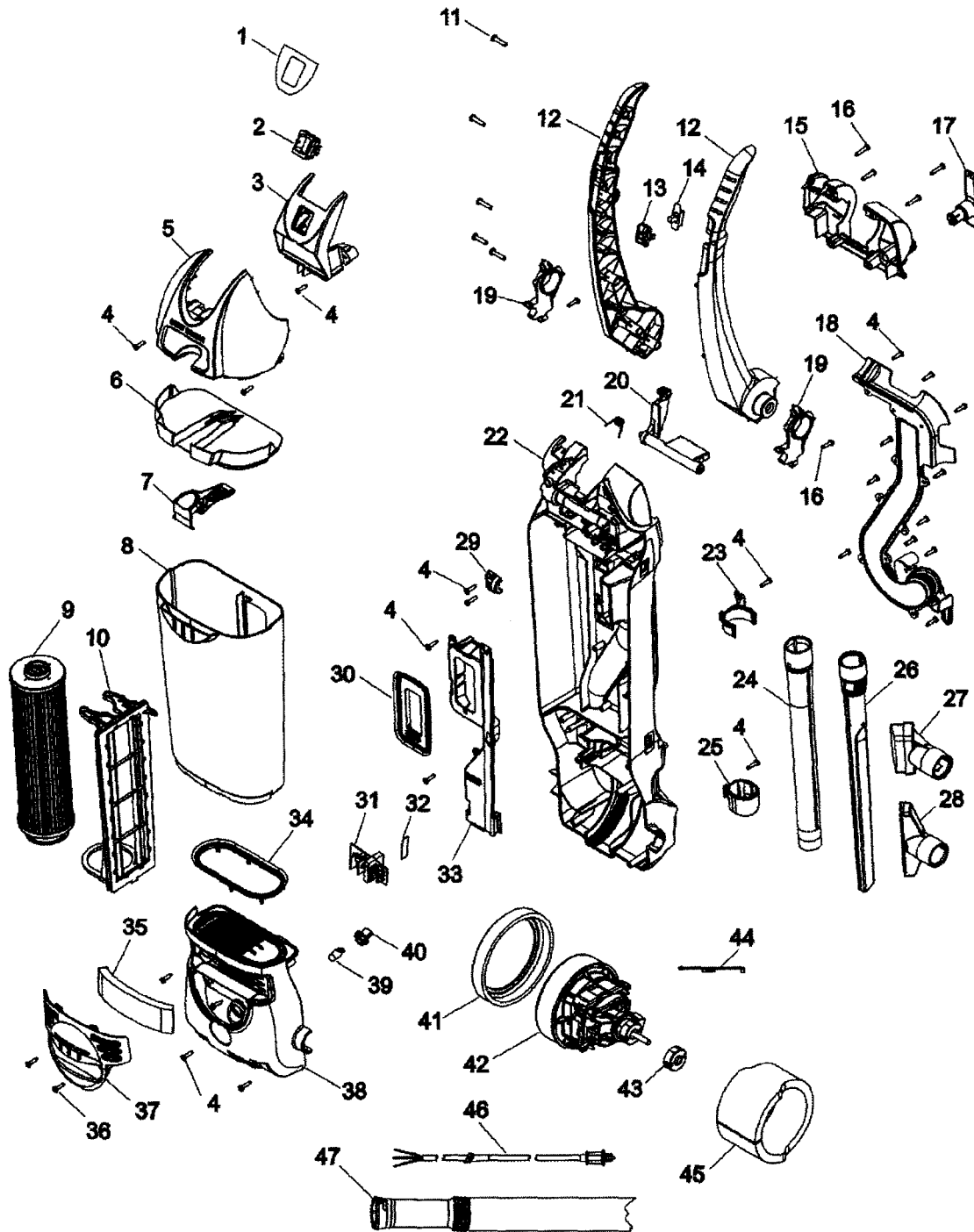
# COMMERCIAL

## Twin Chamber



### ASSEMBLY SCHEMATIC

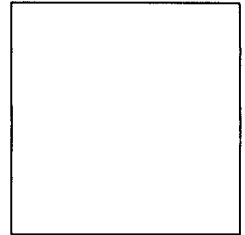
MODEL NO.  
C1660-900





# COMMERCIAL

## *Twin Chamber*



### PART LISTING / PRICE LIST

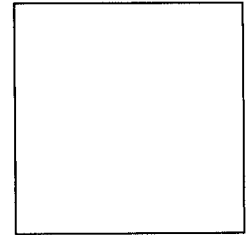
MODEL No.  
**C1660-900**

ITEM	PART NUMBER	MODELS TO FIT	PART DESCRIPTION
1	92001029	C1660-900	SWITCH MOUNT COVER - NAME PLATE
2	28166001	C1660-900	SWITCH
3	92001009	C1660-900	SWITCH MOUNT
4	21447242	C1660-900	SCREW - SELF TAPPING
5	92001013	C1660-900	HANDLE COVER / CARRYING HANDLE
6	92001028	C1660-900	DIRT CUP LID
7	92001065	C1660-900	LATCH ACTUATOR LID
8	38775115	C1660-900	DIRT CUP
9	40140201	C1660-900	CARTRIDGE FILTER - DIRT CUP
10	36426067	C1660-900	PRE-FILTER SUPPORT ASSEMBLY
11	21447269	C1660-900	SCREW
12	92001014	C1660-900	UPPER HANDLE ASSEMBLY
13	91001051	C1660-900	SURGE BUTTON
14	28179106	C1660-900	SURGE SWITCH WITH LEADS
15	92001008	C1660-900	HANDLE RETAINER COVER
16	21447072	C1660-900	SCREW
17	90001100	C1660-900	CORD WRAP
18	92001012	C1660-900	DIRT DUCT COVER
19	36131121	C1660-900	TRUNNION - UPPER HANDLE
20	92001063	C1660-900	PIVOT LATCH LEVER
21	38355016	C1660-900	PIVOT LATCH SPRING
22	92001010	C1660-900	BACK PANEL / DIRT CUP HOUSING
23	92001003	C1660-900	UPPER WAND HOLDER
24	38634092	C1660-900	EXTENSION TUBE - 14"
25	92001004	C1660-900	LOWER WAND HOLDER
26	38617031	C1660-900	CREVICE TOOL - LONG
27	43414195	C1660-900	DUSTING BRUSH ASSEMBLY
28	38614044	C1660-900	FURNITURE NOZZLE
29	27478611	C1660-900	STRAIN RELIEF
30	38785020	C1660-900	INLET SEAL - DIRT CUP
31	46851035	C1660-900	PCB ASSEMBLY
32	34123058	C1660-900	PCB SUPPORT
33	92001007	C1660-900	WIRE CHANNEL COVER
34	38785021	C1660-900	EXHAUST SEAL
35	38765024	C1660-900	FINAL FILTER / EXHAUST
36	21447228	C1660-900	SCREW - SELF TAPPING



# COMMERCIAL

## *Twin Chamber*



### PART LISTING / PRICE LIST

MODEL No.

C1660-900

ITEM	PART NUMBER	MODELS TO FIT	PART DESCRIPTION	
37	39383123	C1660-900	LENS / FINAL FILTER RETAINER	
38	92001005	C1660-900	MOTOR COVER	
39	27313107	C1660-900	BULB	
40	27341505	C1660-900	LAMP SOCKET ASSEMBLY	
41	36322037	C1660-900	MOTO MOUNT - LARGE	
42	43576180	C1660-900	MOTOR ASSEMBLY	
43	36322030	C1660-900	MOTOR MOUNT - SMALL	
44	28382097	C1660-900	THERMAL PROTECTOR	
45	39411001	C1660-900	FOAM MOTOR MUFFLER	
46	91001011	C1660-900	POWER CORD	
	91001010	C1660-900	EXTENSION CORD - 35'	
47	43431224	C1660-900	HOSE ASSEMBLY	



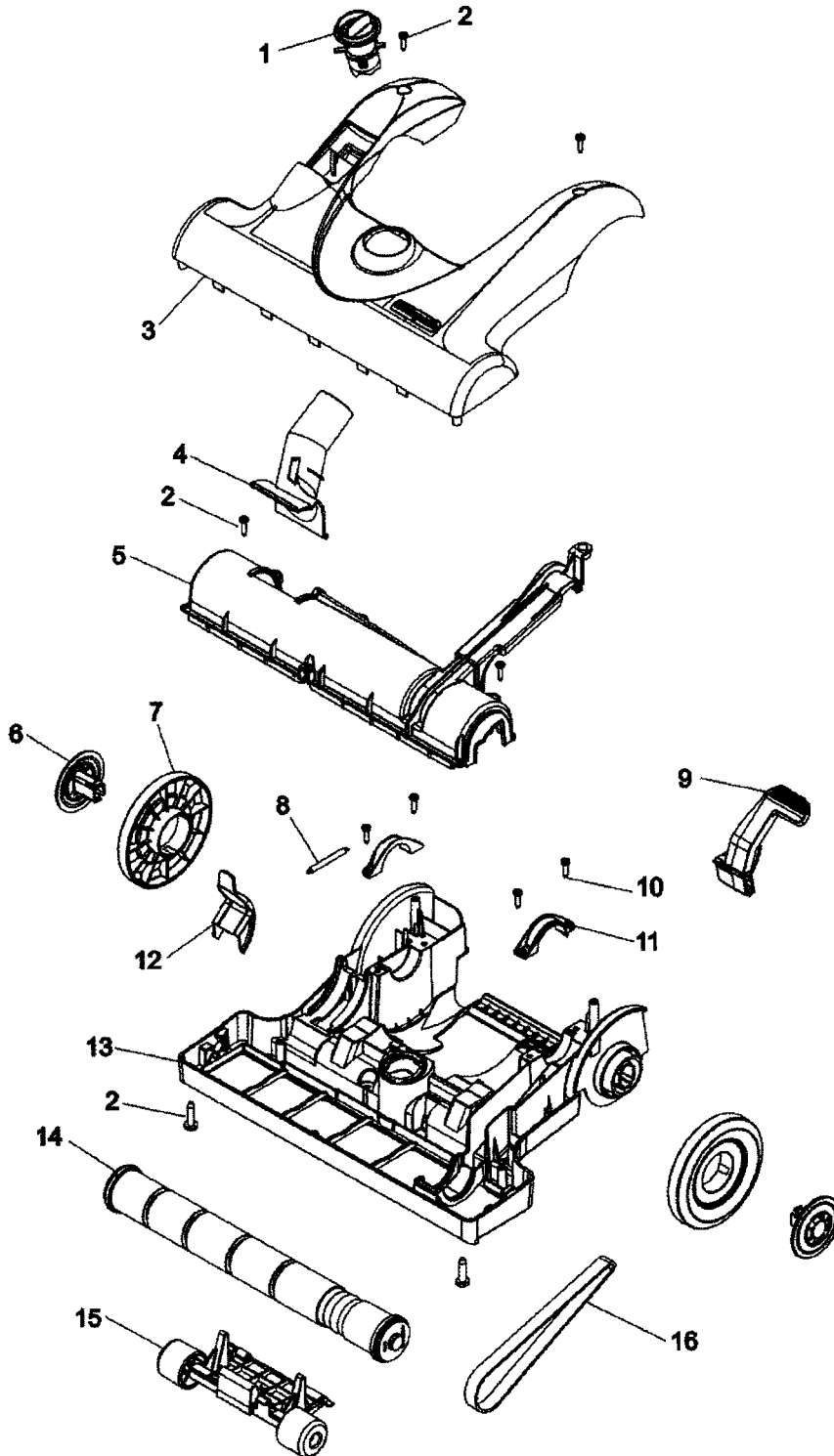
# COMMERCIAL

## Twin Chamber

### ASSEMBLY SCHEMATIC

MODEL NO.

C1660-900





# COMMERCIAL

## *Twin Chamber*

### PART LISTING / PRICE LIST

MODEL No.

**C1660-900**

ITEM	PART NUMBER	MODELS TO FIT	PART DESCRIPTION
1	92001011	C1660-900	NOZZLE HEIGHT ADJUSTMENT CAM
2	21447072	C1660-900	SCREW
3	92001006	C1660-900	HOOD / NOZZLE COVER - 15"
4	38646087	C1660-900	LOWER DUCT
5	37243047	C1660-900	AGITATOR HOUSING
6	37912018	C1660-900	WHEEL HUB
7	38522086	C1660-900	REAR WHEEL
8	38335026	C1660-900	DEBRIS DOOR SPRING
9	38458070	C1660-900	HANDLE RELEASE LEVER
10	21447242	C1660-900	SCREW - SELF TAPPING
11	36131118	C1660-900	TRUNNION COVER
12	37257312	C1660-900	DEBRIS DOOR
13	37242146	C1660-900	MAIN BODY / NOZZLE BASE
14	48414132	C1660-900	AGITATOR ASSEMBLY - 15"
15	90001005	C1660-900	FRONT WHEEL ASSEMBLY
16	38528040	C1660-900	BELT