



WindTunnel[™] Professional

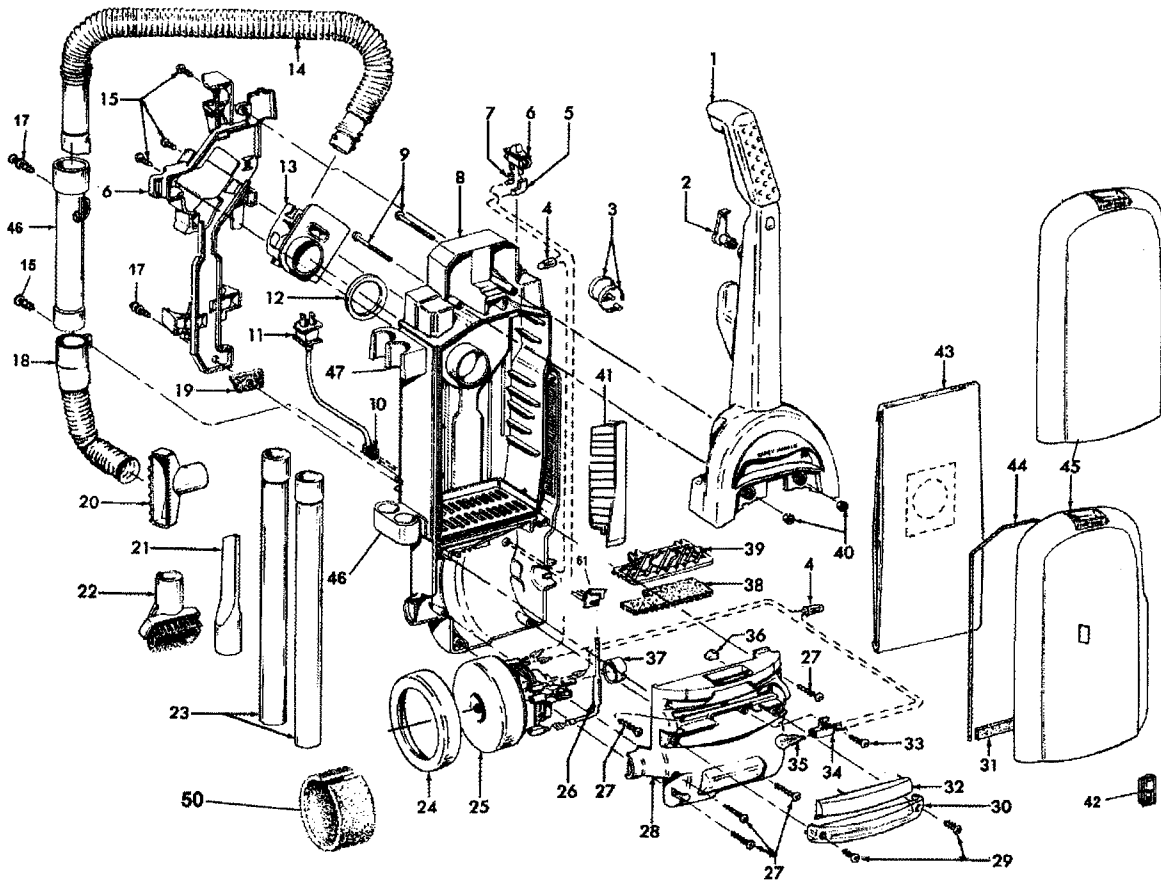
ASSEMBLY SCHEMATIC

MODEL No.

C1703-900

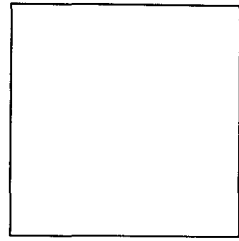
C1705-900

C1712





WindTunnel[™] Professional



PART LISTING

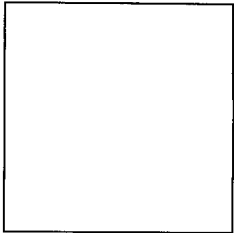
MODEL No.

C1703-900
C1705-900
C1712

ITEM	PART NUMBER	MODELS TO FIT	PART DESCRIPTION
1	48663207	C1703-900, C1705-900, C1712	UPPER HANDLE ASSEMBLY
2	39442043	C1703-900, C1705-900, C1712	CORD WRAP
3	27479307	C1703-900, C1705-900, C1712	CABLE TIE
4	27618508	C1703-900, C1705-900, C1712	WIRE CONNECTOR
5		C1703-900, C1705-900, C1712	TERMINAL
6	28161063	C1703-900, C1705-900, C1712	SWITCH - 3/16" TERMINAL
	28161067	C1703-900, C1705-900, C1712	SWITCH - 1/4" TERMINAL
7		C1703-900, C1705-900, C1712	TERMINAL
8	40309039	C1703-900, C1705-900, C1712	BACK PANEL / BAG HOUSING
9	40201149	C1703-900, C1705-900, C1712	HANDLE HARDWARE ASSEMBLY
10	27482231	C1703-900, C1705-900, C1712	STRAIN RELIEF
11	46583046	C1703-900	POWER CORD - 35' 3/16 TERMINAL
	46583047	C1705-900	POWER CORD - 50' 3/16 TERMINAL
	46583051	C1703-900	POWER CORD - 35' 1/4 TERMINAL
	46583052	C1705-900	POWER CORD - 50' 1/4 TERMINAL
	46583067	C1712	POWER CORD - 50'
12	31178017	C1703-900, C1705-900, C1712	HOSE CONNECTOR GASKET
13	38641005	C1703-900, C1705-900, C1712	DIRT DUCT
14	43434031	C1703-900, C1705-900, C1712	HOSE ASSEMBLY COMPLETE
15	21447242	C1703-900, C1705-900, C1712	SCREW - SELF TAPPING
16	92001070	C1703-900, C1705-900, C1712	TOOL / HOSE HOLDER
17	23149002	C1703-900, C1705-900, C1712	SCREW - SELF TAPPING
18	43431005	C1703-900, C1705-900, C1712	HOSE DOOR ASSEMBLY
19	34311004	C1703-900, C1705-900, C1712	WIRE OPENING SEAL
20	38614044	C1703-900, C1705-900, C1712	FURNITURE NOZZLE
21	38617027	C1703-900, C1705-900, C1712	CREVICE TOOL
22	43414174	C1703-900, C1705-900, C1712	DUSTING BRUSH
23	38634078	C1703-900, C1705-900, C1712	EXTENSION TUBE
24	36322037	C1703-900, C1705-900, C1712	MOTOR MOUNT - LARGE
25	43576180	C1703-900, C1705-900	MOTOR ASSEMBLY
	43576225	C1712	MOTOR ASSEMBLY
	41311017	C1703-900, C1705-900, C1712	MOTOR BRUSH
	43566016	C1712	FAN
26	28382086	C1703-900, C1705-900, C1712	THERMAL PROTECTOR
	47534027	C1703-900, C1705-900	THERMAL PROTECTOR - SUBSTITUTION
27	21447230	C1703-900, C1705-900, C1712	SCREW - SELF TAPPING



WindTunnel™ Professional



PART LISTING

ITEM	PART NUMBER	MODELS TO FIT	PART DESCRIPTION	
28	37196009	C1703-900, C1705-900, C1712	MOTOR COVER	
29	21447228	C1703-900, C1705-900, C1712	SCREW - SELF TAPPING	
30	39383107	C1703-900, C1705-900, C1712	LENS	
31	34123050	C1703-900, C1705-900, C1712	BAG DOOR GASKET - BOTTOM	
32	37944010	C1703-900, C1705-900, C1712	COVER	
33	21447072	C1703-900, C1705-900, C1712	SCREW	
34	47173027	C1703-900, C1705-900, C1712	WIRE HARNESS - 1/4" TERMINAL	
	47173023	C1703-900, C1705-900, C1712	WIRE HARNESS - 3/16" TERMINAL	
35	27313101	C1703-900, C1705-900, C1712	LAMP	
36	34131019	C1703-900, C1705-900, C1712	WIRE OPENING PLUG	
37	36322030	C1703-900, C1705-900, C1712	MOTOR MOUNT - SMALL	
38	38765019	C1703-900, C1705-900, C1712	SECONDARY FILTER	
39	36426034	C1703-900, C1705-900, C1712	SECONDARY FILTER RETAINER	
40	21641558	C1703-900, C1705-900, C1712	HEX NUT	
41	43613006	C1703-900, C1705-900, C1712	CARTRIDGE FILTER / EXHAUST REPLACED BY 38766008 AND 36426060 (1 EA)	N.L.A.
42	51151010	C1712	BAG INDICATOR	
43	43667051	C1703-900, C1705-900, C1712	REUSABLE CLOTH BAG	
	4010100Y	C1703-900, C1705-900, C1712	TYPE Y ALLERGEN PAPER BAG - 3 PACK	
44	38781057	C1703-900, C1705-900, C1712	BAG DOOR GASKET - 34.5"	
45	37254100	C1703-900	BAG DOOR - GASKETS NOT INCLUDED - ORDER # 31 AND #44	
	37254102	C1705-900	BAG DOOR - GASKETS / BAG IDICATOR NOT INCLUDED - ORDER NUMBER #31, #44, AND #42	
	37254237	C1712	BAG DOOR - GASKETS / BAG IDICATOR NOT INCLUDED - ORDER NUMBER #31, #44, AND #42	
46	43457024	C1703-900, C1705-900, C1712	HOSE DOOR ASSEMBLY	
47	36433117	C1703-900, C1705-900, C1712	UPPER WAND HOLDER	
48	36433116	C1703-900, C1705-900, C1712	LOWER WAND HOLDER	
49	27478456	C1703-900, C1705-900, C1712	ATTACHMENT CORD CLAMP	
50	39411001	C1703-900, C1705-900, C1712	FOAM MOTOR MUFFLER	
51	36426039	C1703-900, C1705-900, C1712	FILTER HOLDER	
	39441016	C1703-900, C1705-900, C1712	CORD CLIP EXTENSION	
	21447236	C1703-900, C1705-900, C1712	CORD CLIP EXTENSION SCREW	
	49811073	C1703-900, C1705-900, C1712	LEAD WIRE - RED	
	90001125	C1703-900, C1705-900, C1712	CORD PROTECTOR	

MODEL NO.

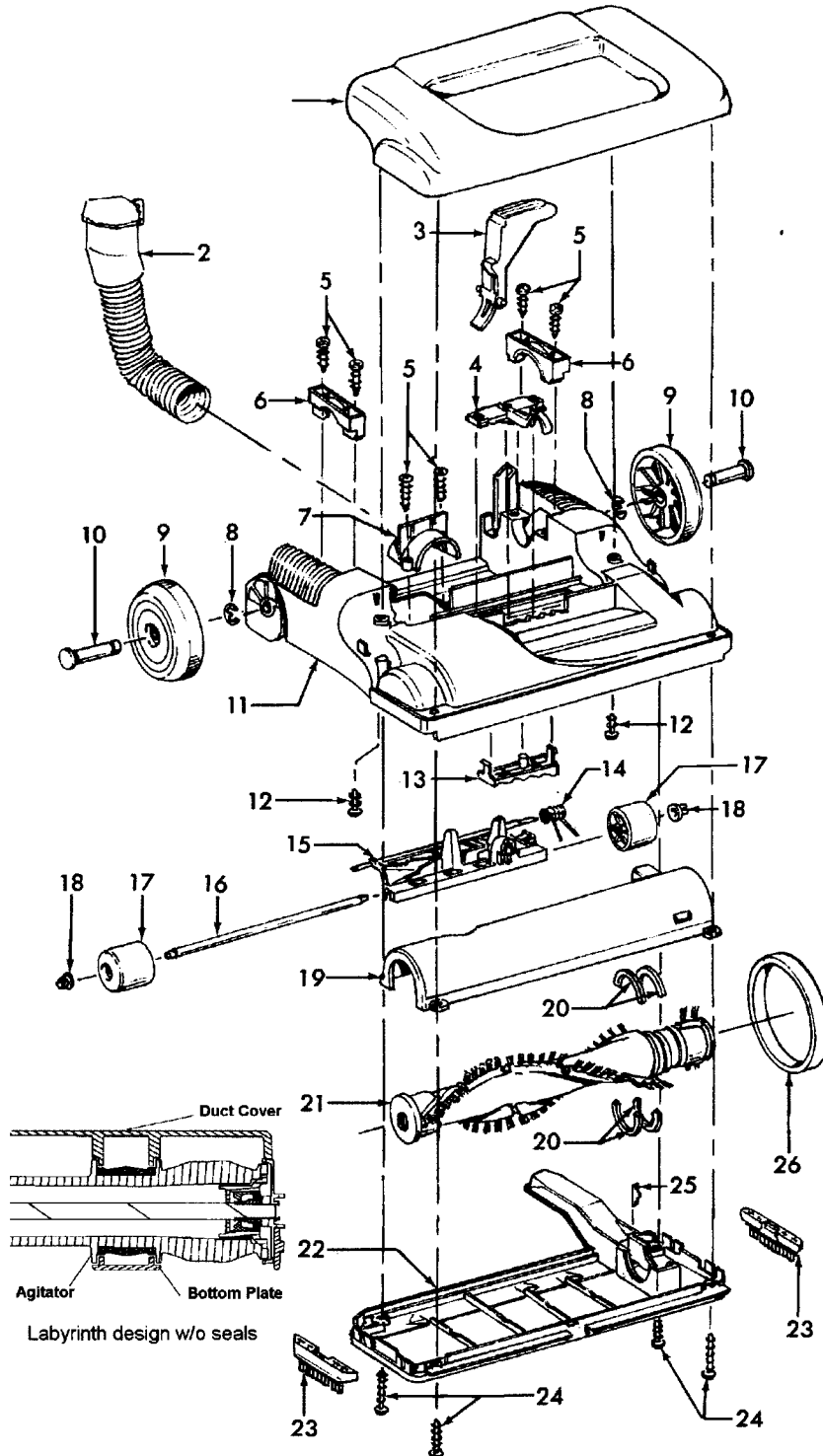
C1703-900
C1705-900
C1712



WindTunnel Professional

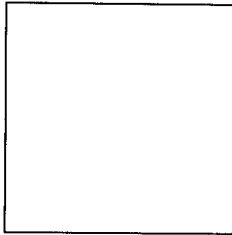
ASSEMBLY SCHEMATIC

MODEL NO.
C1703-900
C1705-900
C1712





WindTunnel[™] Professional



PART LISTING

MODEL No.

C1703-900
C1705-900
C1712

ITEM	PART NUMBER	MODELS TO FIT	PART DESCRIPTION
1	37253291	C1703-900	HOOD / NOZZLE COVER - 13"
	37253292	C1705-900	HOOD / NOZZLE COVER - 15"
	37253A37	C1712	HOOD / NOZZLE COVER
2	43431005	C1703-900, C1705-900, C1712	HOSE DOOR ASSEMBLY
3	38458043	C1703-900, C1705-900, C1712	HANDLE RELEASE LEVER
4	40309004	C1703-900, C1705-900, C1712	NOZZLE ADJUSTMENT LEVER / CAM KIT
5	21447072	C1703-900, C1705-900, C1712	SCREW
6	36131094	C1703-900, C1705-900, C1712	TRUNNION COVER
7	36171044	C1703-900, C1705-900, C1712	HOSE CLAMP
8	160017--	C1703-900, C1705-900, C1712	LOCK RING
9	43244009	C1703-900, C1705-900, C1712	REAR WHEEL
10	32434007	C1703-900, C1705-900, C1712	REAR AXLE
11	37242124	C1703-900, C1712	NOZZLE BASE - 13"
	37242123	C1705-900	NOZZLE BASE - 15"
12	21447228	C1703-900, C1705-900, C1712	SCREW - SELF TAPPING
13	40309004	C1703-900, C1705-900, C1712	NOZZLE ADJUSTMENT LEVER / CAM KIT
	40309007	C1703-900, C1705-900, C1712	NOZZLE ADJUSTMENT CAM - ONLY
14	38355010	C1703-900, C1705-900, C1712	TORSION SPRING
15	36432027	C1703-900, C1705-900, C1712	FRONT WHEEL SUPPORT - ONLY
16	32541003	C1703-900, C1705-900, C1712	WHEEL SHAFT
17	43248064	C1703-900, C1705-900, C1712	FRONT WHEEL SUPPORT ASSEMBLY
18	36131056	C1703-900, C1705-900, C1712	WHEEL RETAINER
19	40309025	C1703-900, C1712	BOTTOM PLATE / DUCT ASSEMBLY - 13"
	40309026	C1705-900	BOTTOM PLATE / DUCT ASSEMBLY - 15"
20	38781053	C1703-900, C1705-900, C1712	AGITATOR PULLEY SEAL
21	48414110	C1703-900	AGITATOR ASSEMBLY - 13"
	48414115	C1705-900	AGITATOR ASSEMBLY - 15"
	48414131	C1712	AGITATOR ASSEMBLY - 13"
22	40309025	C1703-900, C1712	BOTTOM PLATE / DUCT ASSEMBLY - 13"
	40309034	C1705-900	BOTTOM PLATE / DUCT ASSEMBLY - 15"
23	39511006	C1703-900, C1705-900	LITTER PICKER
	39511012	C1712	LITTER PICKER
24	21447121	C1703-900, C1705-900, C1712	SCREW
25	013261AY	C1703-900, C1705-900, C1712	RIB SHOE
26	38528033	C1703-900, C1705-900, C1712	BELT