

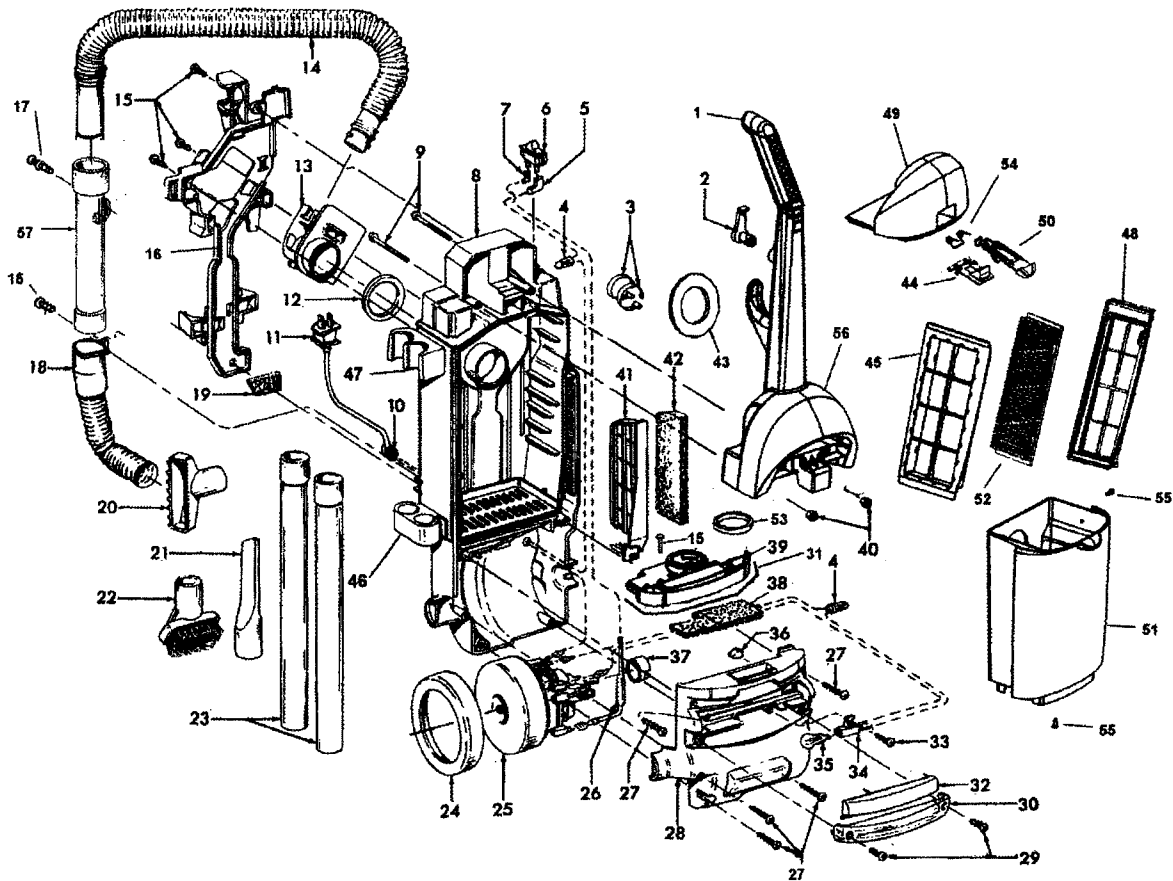


WindTunnel™

ASSEMBLY SCHEMATIC

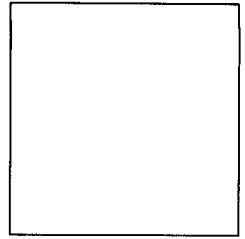
MODEL NO.

C1701





WindTunnel™



PART LISTING / PRICE LIST

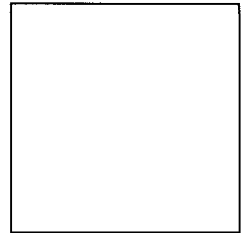
MODEL No.

C1701

ITEM	PART NUMBER	MODELS TO FIT	PART DESCRIPTION
1	39466065	C1701	UPPER HANDLE
2	3944201P	C1701	CORD WRAP
3	27479307	C1701	CABLE TIE
4	27618508	C1701	WIRE CONNECTOR
5		C1701	TERMINAL
6	28161067	C1701	SWITCH - 1/4" TERMINAL
7		C1701	TERMINAL
8	37259003	C1701	UPPER HOUSING - INCLUDES UPPER AND LOWER WAND HOLDER
9	40201149	C1701	HANDLE HARDWARE ASSEMBLY
10	27482231	C1701	STRAIN RELIEF
11	46583058	C1701	POWER CORD - 40'
12	31178017	C1701	HOSE CONNECTOR GASKET
13	38641005	C1701	DIRT DUCT
14	43434031	C1701	HOSE ASSEMBLY COMPLETE
15	21447242	C1701	SCREW - SELF TAPPING
16	92001070	C1701	TOOL HOLDER
17	23149002	C1701	SCREW - SELF TAPPING
18	43431005	C1701	HOSE DOOR ASSEMBLY
19	43411004	C1701	WIRE OPENING SEAL
20	38614044	C1701	FURNITURE NOZZLE
21	38617027	C1701	CREVICE TOOL
22	43414174	C1701	DUSTING BRUSH
23	38634078	C1701	EXTENSION TUBE
24	36322037	C1701	MOTOR MOUNT - LARGE
25	43576180	C1701	MOTOR ASSEMBLY
	43566016	C1701	FAN
	41311017	C1701	MOTOR BRUSH
26	28382086	C1701	THERMAL PROTECTOR
	51873001	C1701	LABEL
27	21447230	C1701	SCREW - SELF TAPPING
28	37196159	C1701	MOTOR COVER
29	21447228	C1701	SCREW - SELF TAPPING
30	39383107	C1701	LENS
31	38781061	C1701	ROPE SEAL
32	37944010	C1701	COVER



WindTunnel™



PART LISTING / PRICE LIST

MODEL No.

C1701

ITEM	PART NUMBER	MODELS TO FIT	PART DESCRIPTION	LIST COST
33	21447072	C1701	SCREW	
34	47173027	C1701	WIRING HARNESS	
35	27313101	C1701	LAMP	
36	34131019	C1701	WIRE OPENING PLUG	
37	36322030	C1701	MOTOR MOUNT - SMALL	
38	38765019	C1701	SECONDARY FILTER	
39	36426064	C1701	SECONDARY FILTER RETAINER	
40	21641558	C1701	HEX NUT	
	40201149	C1701	HANDLE HARDWARE ASSEMBLY	
41	36426060	C1701	FILTER HOLDER	
42	40110004	C1701	FINAL FILTER / THREE LAYER - 2 PACK	
	38766008	C1701	FINAL FILTER - BULK	
43	38784089	C1701	INTAKE SEAL	
44	36151032	C1701	DIRT CUP LATCH	
45	36426053	C1701	PRE-FILTER SCREEN	
46	36433116	C1701	LOWER WAND HOLDER	
47	36433117	C1701	UPPER WAND HOLDER	
48	364260569	C1701	FILTER SUPPORT WITH OVERMOLD	
49	37249029	C1701	DIRT CUP LID	
50	38421104	C1701	LATCH ACTUATOR	
51	38775095	C1701	DIRT CUP	
52	40110008	C1701	PRIMARY DIRT CUP FILTER	
53	38784084	C1701	DIRT CUP EXHAUST SEAL	
54	38355015	C1701	TORSION SPRING	
55	21447041	C1701	SCREW	
56	39458027	C1701	CARRY HANDLE	
57	43457024	C1701	HOSE TUBE ASSEMBLY	
	49811073	C1701	LEAD WIRE - RED	
	39441016	C1701	CORD CLIP	
	21447236	C1701	SCREW - CORD CLIP	
	27478456	C1701	CORD CLAMP	
	43434042	C1701	EXTRA HOSE ASSEMBLY - COMPLETE	

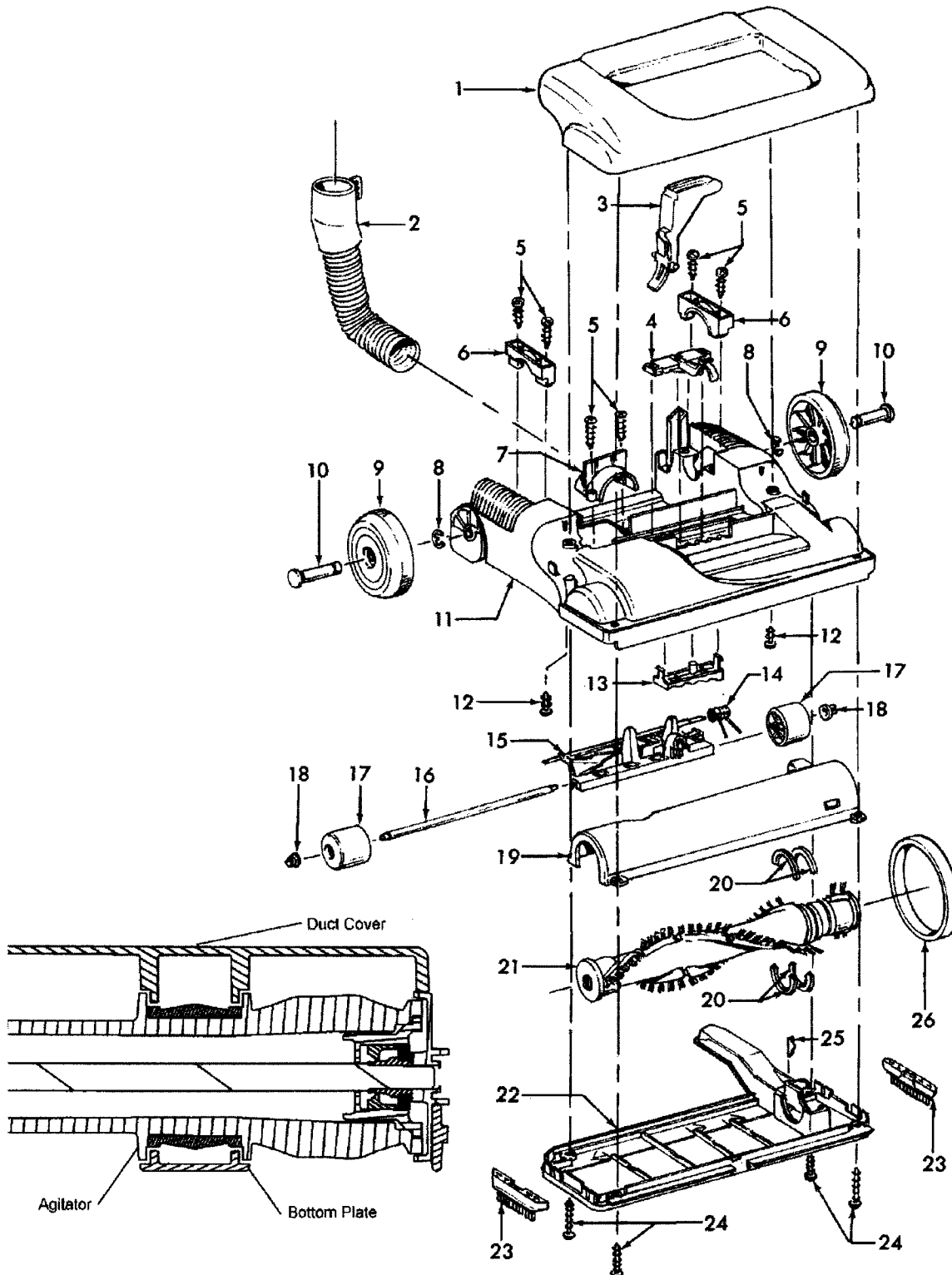


WindTunnel™

ASSEMBLY SCHEMATIC

MODEL NO.

C1701





WindTunnel™

PART LISTING / PRICE LIST

MODEL No.

C1701

ITEM	PART NUMBER	MODELS TO FIT	PART DESCRIPTION
1	37253291	C1701	HOOD / NOZZLE COVER - 13"
2	43431005	C1701	HOSE DOOR ASSEMBLY
3	38458043	C1701	HANDLE RELEASE LEVER
4	40309004	C1701	NOZZLE ADJUSTMENT LEVER AND CAM KIT
5	21447072	C1701	SCREW
6	36131094	C1701	TRUNNION COVER
7	36171044	C1701	HOSE CLAMP
8	160017--	C1701	LOCK RING
9	43244009	C1701	REAR WHEEL
10	32434007	C1701	REAR AXLE
11	37242124	C1701	MAIN BODY NOZZLE BASE - 13"
12	21447228	C1701	SCREW - SELF TAPPING
13	40309004	C1701	NOZZLE ADJUSTMENT LEVER AND CAM KIT
14	38355010	C1701	TORSION SPRING
15	36432027	C1701	FRONT WHEEL SUPPORT
16	32541003	C1701	WHEEL SHAFT
17	43248064	C1701	FRONT WHEEL
18	36131056	C1701	WHEEL RETAINER
19	40309025	C1701	BOTTOM PLATE / DUCT - 13"
20	38781053	C1701	AGITATOR PULLEY SEAL
21	48414110	C1701	AGITATOR ASSEMBLY - 13"
22	40309025	C1701	BOTTOM PLATE / DUCT COVER - 13"
23	39511006	C1701	LITTER PICKER
24	21447121	C1701	SCREW
25	013261AY	C1701	RIB SHOE
26	38528033	C1701	BELT