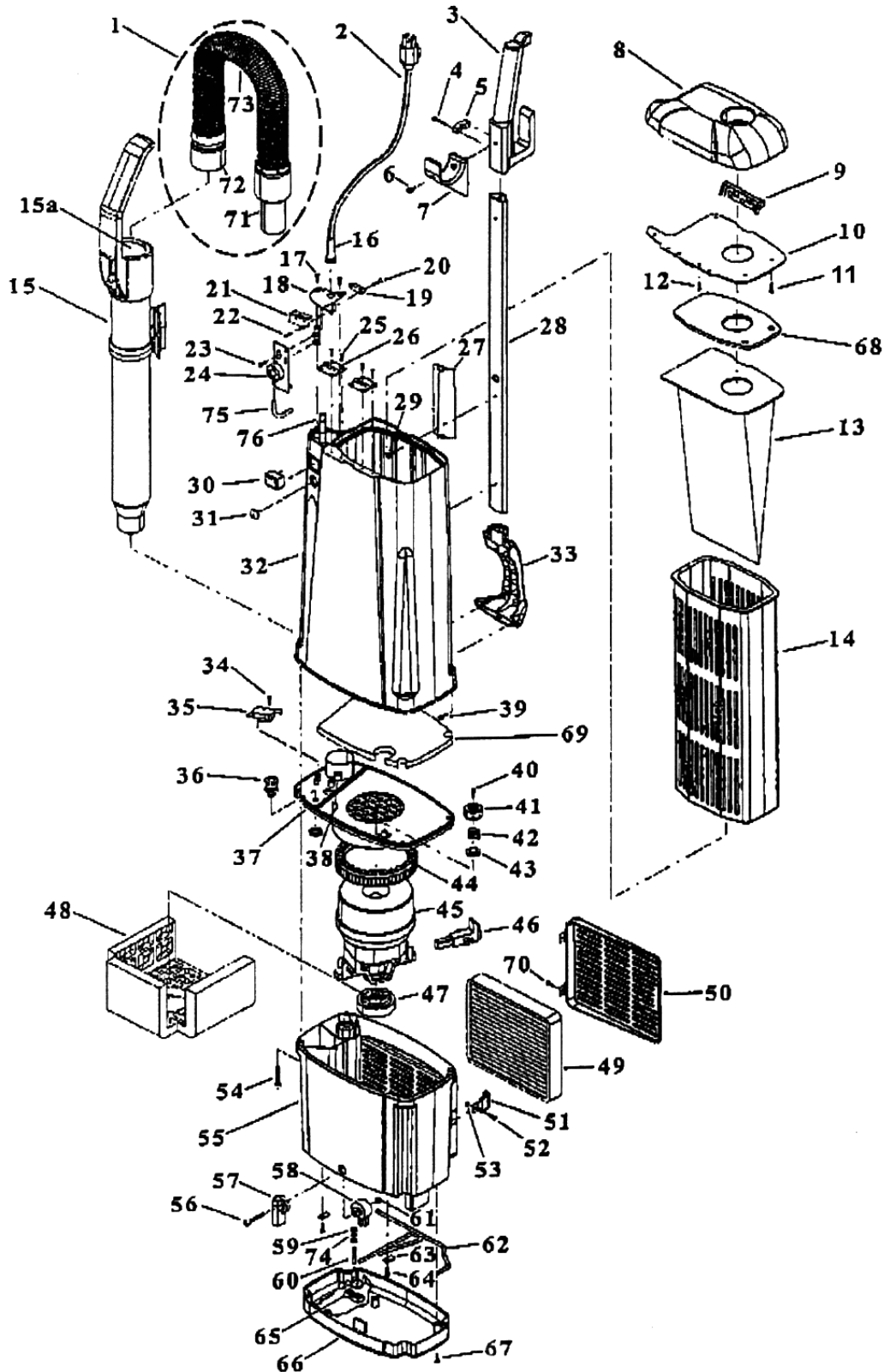


HOOVER UPRIGHTS

1800 Series

Model: C1830, C1834

TANK & VACUUM ASSEMBLY



HOOVER UPRIGHTS

1800 Series

Model: C1830, C1834

TANK & VACUUM ASSEMBLY

Index	Part #	Description
1	H-59151061	Hose Assembly
2	H-59151062	Electric Cable - Pacific
3	H-59151063	Handle Grip
4	H-59151064	Screw M3x20
5	H-59151065	Cable Clamp
6	H-59151066	Screw M4x12
7	H-59151067	Suction Hose Support
8	H-59151068	Top Cover
9	H-59151069	Closing Cover Spring
10	H-59151070	Closing Cover Plate
11	H-59151071	Self-Thread Screw, 5x16
12	H-59151072	Self-Thread Screw, 9x13
13	H-59151073	Bag (10 pack) - Pacific
14	H-59151074	Paper Bag Cage - Pacific
15	H-59151076	Tube, Rigid Wand Inn
15	H-59151075	Wand, Rigid - Pacific
16	H-59151077	Cable Retainer
17	H-59151078	Self-Thread Screw, 5x13
18	H-59151079	Support Plate
19	H-59151080	Cable Holder
20	H-59151072	Self-Thread Screw, 9x13
21	H-59151082	Micro-Switch - Pacific
22	H-59151083	Self-Thread Screw, 9x16
23	H-59151084	Self-Thread Screw, 9x9
24	H-59151085	Bag Control Card - Pacific
25	H-59151072	Self-Thread Screw, 9x13
26	H-59151087	Cover Hinge
27	H-59151088	Cover
28	H-59151089	Handle Tube
29	H-59151090	Screw, M4x10
30	H-59151091	Switch - Pacific
31	H-59151092	Lens
32	H-59151093	Uprt Cent Body/Housing
33	H-59151094	Lifting Handle
34	H-59151072	Self-Thread Screw, 9x13
35	H-59151082	Micro-Switch - Pacific
36	H-59151097	Cable Retainer
37	H-59151098	Vacuum Motor Holder
38	H-59151099	Micro-Switch

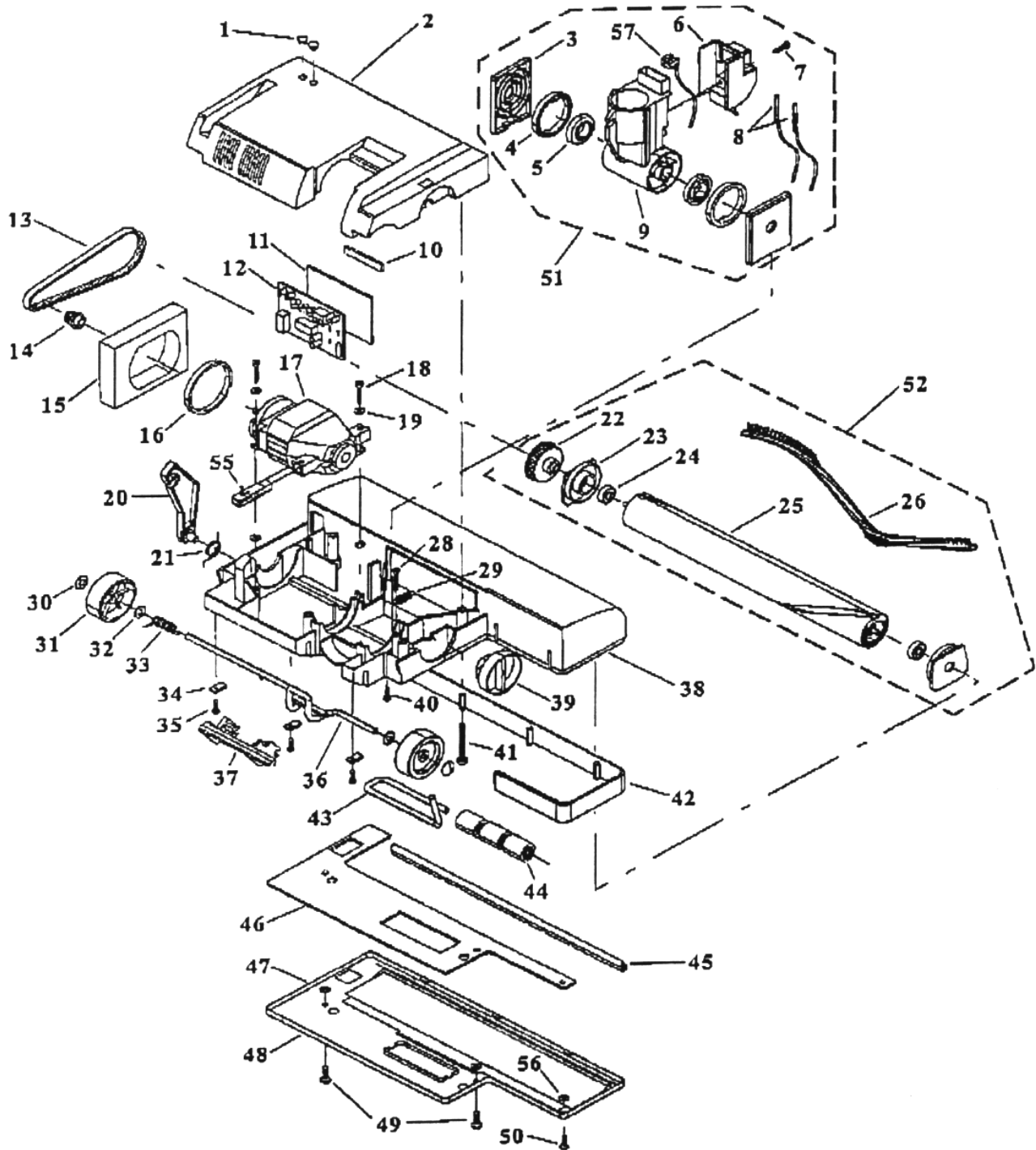
Index	Part #	Description
39	H-59151100	Self-Thread Screw, 5x16
40	H-59151072	Self-Thread Screw, 9x13
41	H-59151102	Safety Valve Cover
42	H-59151103	Safety Valve Cov Spring
43	H-59151104	Safety Valve
44	H-59151105	Vac Motor Gasket - Pacific
45	H-59151107	Vac Motor, 115V - Pacific
46	H-59151109	Carbon Brush - Pacific
47	H-59151110	Rubber Gasket - Pacific
48	H-59151111	Sound Insulation
49	H-59151113	Foam Filtration - Pacific
49	H-59151112	HEPA Filter - Pacific
50	H-59151114	Filter Cover
51	H-59151115	Filter Retaining Clamp
52	H-59151116	Screw M3x10
53	H-59151117	Nut M3
54	H-59151118	Screw M5x30
55	H-59151119	Motor Housing
56	H-59151118	Screw M5x30
57	H-59151121	Locking Catch/Knob
58	H-59151122	Locking Catch
59	H-59151123	Nut M4
60	H-59151124	Static Ground Pin
61	H-59151125	Self-Locking Nut M5
62	H-59151126	Locking - Rod
63	H-59151036	Latch
64	H-59151128	Self-Thread Screw, 5x13
65	H-59151129	Connection Protection
66	H-59151130	Vacuum Motor Cover
67	H-59151071	Self-Thread Screw, 5x16
68	H-59151132	Gasket - Pacific
69	H-59151133	Vac Inlet Filter - Pacific
70	H-93002128	Screw, Tapping
71	H-59151135	Black Rotating Sleeve
72	H-59151136	Flexible Hose Union
73	H-59151137	Flexible Hose - Pacific
74	H-59151138	Washer
75	H-59151139	Connect Hose Pres Reg
76	H-59151140	Post, Rubber

HOOVER UPRIGHTS

1800 Series

Model: C1830, C1834

BRUSH HEAD ASSEMBLY



HOOVER UPRIGHTS

1800 Series

Model: C1830, C1834

BRUSH HEAD ASSEMBLY

Index	Part #	Description
1	H-59151001	Lens
2	H-59151002	Base Cover
10	H-59151010	Felt Seal
11	H-59151011	Electronic Card Protection
12	H-59151012	Electronic Card - Pacific
13	H-59151013	Belt - Pacific
14	H-59151014	Pulley - Pacific
15	H-59151015	Filter - Pacific
16	H-59151016	Gasket - Pacific
17	H-59151017	Brush Motor (C1830)
17	H-59151018	Brush Motor (C1834)
18	H-59151019	Self Thread Screw, 9x19
19	H-59151020	Washer D4
20	H-59151021	Support Lever
21	H-59151022	Spring
22	H-59151023	Brush Pulley
23	H-59151024	Brush Support
24	H-59151025	Bearing
26	H-59151028	Brush Strip (C1830)
26	H-59151029	Brush Strip (C1834)
28	H-59151030	Self-Thread Screw, 5x25
29	H-59151031	Spring
30	H-59151032	Retainer
31	H-59151033	Wheel
32	H-59151034	Washer D6
33	H-59151035	Wheels Axle Spring

Index	Part #	Description
34	H-59151036	Latch
35	H-59151037	Self-Thread Screw, 9x13
36	H-59151038	Wheels Axle
37	H-59151039	Fot Pedal
38	H-59151040	Chassis/Hsg, Brush, 14" (C1830)
38	H-59151041	Chassis/Hsg, Brush, 14" (C1834)
39	H-59151042	Brush Height Adj Knob
40	H-59151037	Self-Thread Screw, 9x13
41	H-59151044	Screw, M5x45
42	H-59151045	Bumper (C1830)
42	H-59151046	Bumper (C1834)
43	H-59151047	Wheels Axle
44	H-59151048	Brush Adj Wheels
45	H-59151049	Gasket - Pacific
46	H-59151050	Gasket - Pacific
47	H-59151051	Washer
48	H-59151052	Shoe, Pick-up (C1830)
48	H-59151053	Shoe, Pick-up (C1834)
49	H-59151054	Screw M5X12
50	H-59151055	Screw M4x10
51	H-59151056	Joint with Support - Pacific
52	H-59151057	Brush Comp (C1830)
52	H-59151144	Brush Comp (C1834)
55	H-59151058	Carbon Brush
56	H-59151059	Washer
57	H-59151060	Enclosed Cover Spring