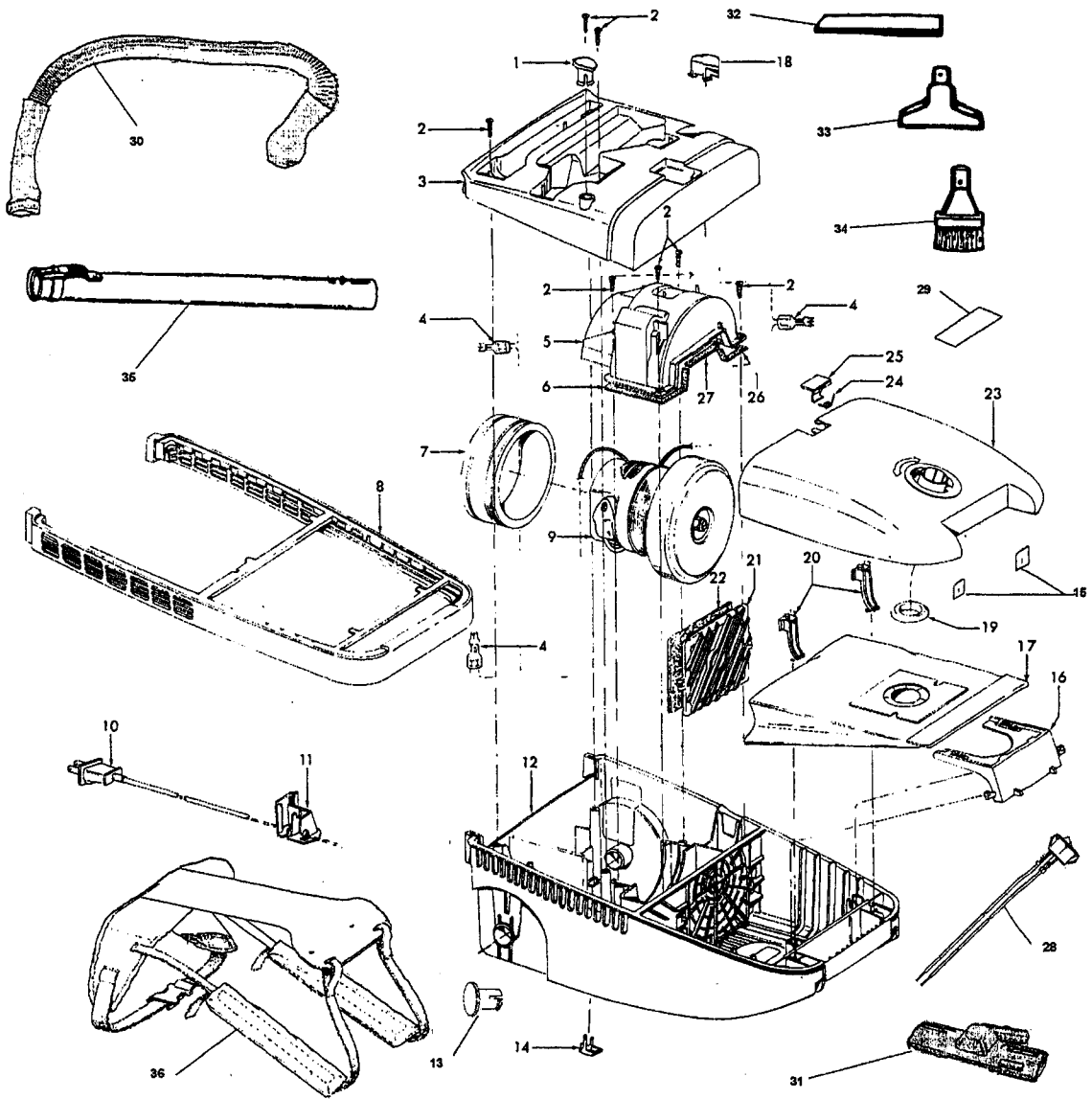


Commercial Shoulder Vac

C2089



Commercial Shoulder Vac

C2089

Ref. No.	Part No.	Description
1.	37911097	Snap Plug
2.	21447217	Screw
3.	41426157	Motor Cover (includes items 1 and 18)
4.	012227--	Insulated Terminal
5.	41312042	Motor Retainer Assembly – AG (includes items 6, 26, 27)
6.	N/A	Retainer Seal - RH
7.	36322031	Motor Mount - BZ
8.	36235069	Furniture Guard - AG
9.	43576222	Motor Assembly Complete
10.	43563019	Attachment Cord
11.	36215034	Strain Relief - AG
12.	42215053	Main Body Assembly (includes items 8, 14, and 28)
13.	40201256	Harness Attachment Pack
14.	37258136	PTO Cover - AG
15.	21378159	Speed Clip - FW
16.	36424010	Bag Collar Support - AG
17.	43662035	Cloth Bag Assembly Complete
	4010064S	Throw Away Bag – 3 Pack
	4010344S	Throw Away Bag – 10 Pack
18.	37911098	Snap Cover
19.	36424012	Bag Collar Seal
20.	36151027	Bag Lid Hinge – AG (2 required)
21.	37944005	Filter Retainer – AG
22.	38765009	Secondary Filter
23.	42217195	Bag Lid Assembly – AG (includes items 19, 24, 25)
24.	38351009	Torsion Spring FW
25.	36153040	Bag Lid Latch – AG
26.	34633002	Retainer Seal – LH
27.	34123040	Retainer Seal – Center
28.	28161070	Switch with leads
29.	52125152	Bag Lid Label
30.	43434270	Hose Assembly Complete
31.	4341401P	Rug / Floor Nozzle – AG
32.	38617017	Crevice Tool – AG
33.	43414057	Furniture Nozzle – AG
34.	43414064	Dusting Brush Assembly – AG
35.	43453027	Extension Tube – AX
36.	48615023	Harness Assembly

Items not illustrated

56711157	Owners Manual
58175115	Cleaner Carton
40201256	Harness Attachment Pack
40201257	Shoulder Harness Hardware