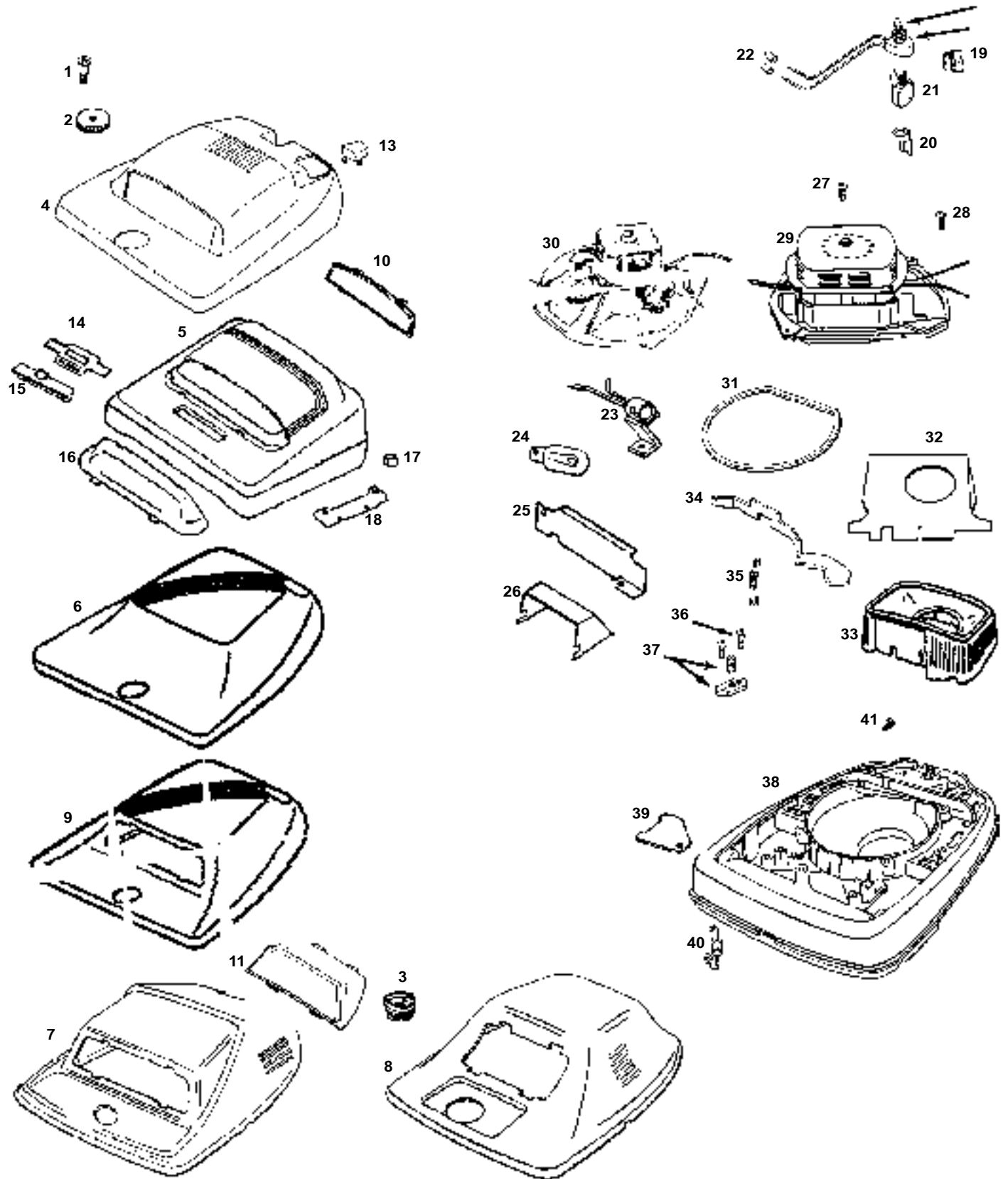


EUREKA UPRIGHTS

1900 Series

UPPER CASTING ASSEMBLY

Models: 1903A/B, 1923A/B, 1925A/AT, 1928A/AT, 1931A, 1932A, 1934A/A1, 1935AT/B/BT, 1941E, 1942A/B, 1943A/AT, 1945B, 1946A, 1947A, 1967A/AT/B/BT, 1968A



EUREKA UPRIGHTS

1900 Series

UPPER CASTING ASSEMBLY

Models: 1903A/B, 1923A/B, 1925A/AT, 1928A/AT, 1931A, 1932A, 1934A/A1, 1935AT/B/BT, 1941E, 1942A/B, 1943A/AT, 1945B, 1946A, 1947A, 1967A/AT/B/BT, 1968A

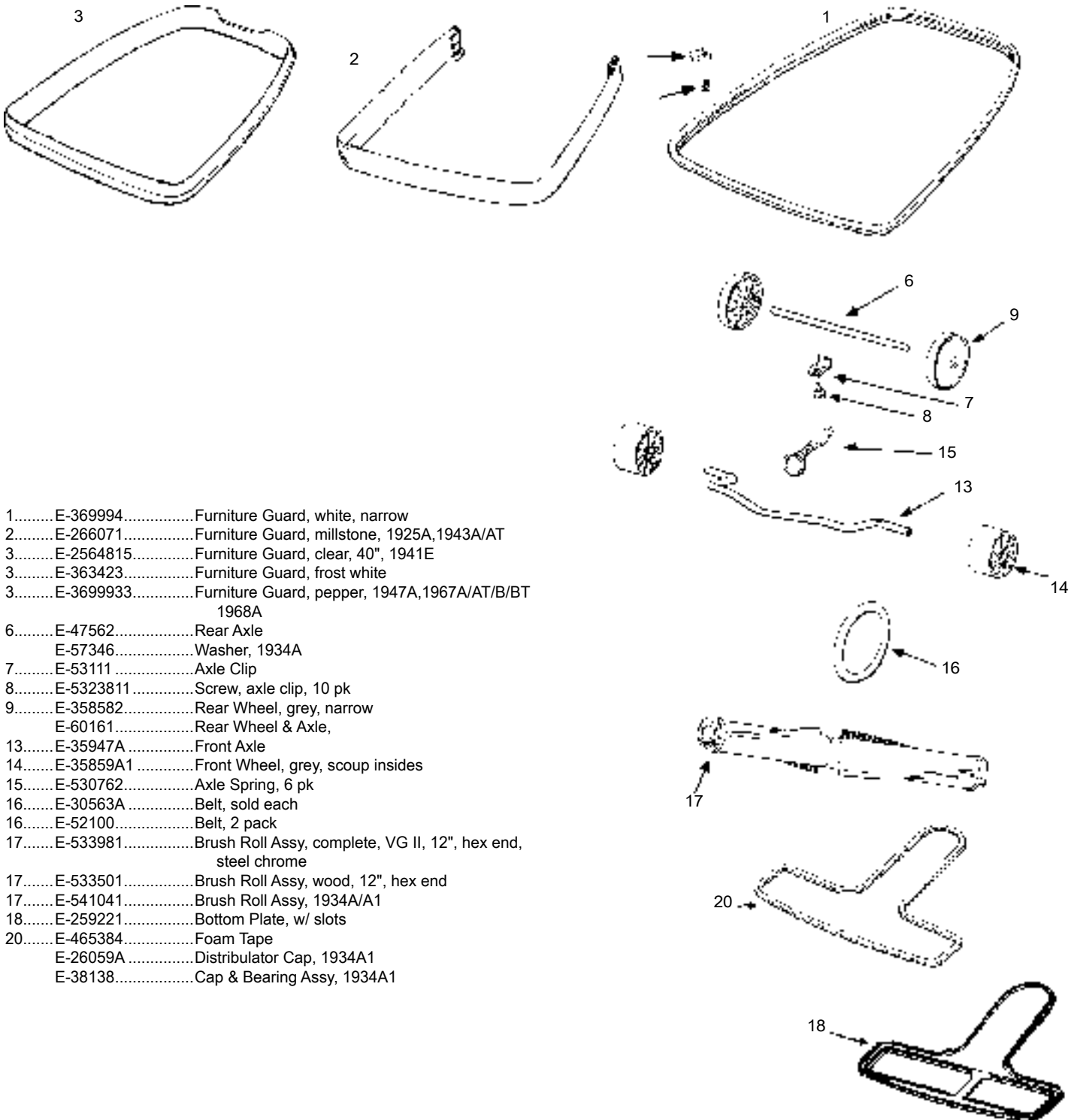
- | | |
|---|---|
| 1.....E-53143.....Shoulder Screw, 10 pk | 32.....E-37676AAir Separator |
| 2.....E-380532.....Adjustment Knob | 32.....N/AAir Separator, 1925A/AT,1931A,1943A/AT |
| 2.....N/AAdjustment Knob, 1923A,1932A,1967A/AT | 32.....E-38314.....Air Separator, 1967B/BT,1968A |
| 3.....E-268331.....Adjustment Knob, 1928A/AT,1931A,1945B | 33.....N/AAir Deflector, 1945B |
| 3.....E-268341.....Adjustment Knob, 1947A | 34.....E-24834A3Foot Pedal, 5 pk |
| 4.....N/AHood Assembly, salmon, 1903A | 35.....E-53097Spring, foot pedal |
| 4.....E-540056.....Hood Assembly, salmon, 1903B | 36.....E-5323814.....Screw, clamp, 10 pk |
| 4.....N/AHood Assembly, frost white, 1923A/B | 37.....E-53140.....Clamp & Screw Assembly, 6 pk |
| 5.....E-539038.....Hood Assembly, dark blue, 1925A/AT,1943A/AT | E-48642.....Set Screw |
| 4.....E-557577.....Hood Assembly, 1928A/AT,1931A | E-53140.....Adjustment Clamp, 6 pk |
| 4.....N/AHood Assembly, blue topaz, 1932A,1935B/BT, 1967A/AT | 38.....E-5345612.....Base Assembly, black, 1903A/B,1935B/BT,1946A, 1947A,1967B/BT,1968A |
| 6.....NLAHood Assembly, 1934A/A1 | 38.....E-5345621.....Base Assembly, blazing red, 1923A |
| 4.....E-270846.....Hood Assembly, deja blue, 1935AT | 38.....E-5345612.....Base Assembly, bright red, 1923B |
| 7.....E-553225.....Hood Assembly, cinnamon spice, 1941A | 38.....E-534577.....Base Assembly, white, 1925A/AT,1941E,1942A/B, 1943A/AT |
| 7.....E-541981.....Hood Assembly, millstone, 1942A | 38.....E-534589.....Base Assembly, frost white, 1928A/AT,1931A, 1932A,1935AT |
| 4.....N/AHood Assembly, millstone, 1942B | 38.....E-540042.....Base Assembly, 1934A |
| 7.....NLAHood Assembly, ghost grey, 1946A | 38.....E-540043.....Base Assembly, 1934A1 |
| 8.....N/AHood Assembly, 1947A | 38.....E-5345614.....Base Assembly, midnight blue, 1945B |
| 9.....N/AHood Assembly, 1967B/BT,1968A | 38.....E-5345810.....Base Assembly, ghost grey, 1967A/AT |
| 10.....E-141931.....Lens, 1903A/B,1942B | E-24964A1Cam, right side |
| 10.....E-126018.....Lens, 1941E,1942A,1945B,1946A | E-24965A1Cam, left side |
| 11.....N/ALens, 1947A | E-53118Rivet, 10 pk |
| 10.....N/ALens, 1967B/BT,1968A | E-53133.....Washer, 10 pk |
| 13.....E-268083.....Switch Button | 39.....E-26263.....Wheel Cover |
| 13.....E-146601.....Switch Button, 1934A/A1,1967B/BT,1968A | E-532154.....Screw, hood to base |
| E-270911Switch Button, 1935B/BT | 40.....E-53117Hood Spring, 10 pk |
| 14.....E-25729A6Slide Cover, 1925A/AT,1941E,1942A/B,1943A/AT | 41.....E-532287.....Bag Screw, 10pk |
| 15.....E-266061.....Side Adjustment, 1925A/A,1943A/AT | |
| 15.....E-24866A5Slide Adjustment, 1941E,1942A/B | |
| E-53147.....Screw, adjustment, 1925A/AT,1941E,1942A/B, 1943A/AT, 10 pk | |
| 16.....N/ALens, 1925A/AT,1943A/AT | |
| 17.....E-53424.....On-Sert, 10 pk, 1925A/AT,1943A/AT | |
| 18.....E-37727Shield, 1925A/AT,1943A/AT | |
| 19.....E-46713.....Wire Clip | |
| E-375901Bushing Bracket | |
| 20.....E-37989.....Clip, switch | |
| 21.....E-137385.....Switch, push type, flat side | |
| 22.....E-601921.....Wire Nut, 5 pk | |
| 23.....E-35958ALight Socket Assembly | |
| 24.....E-40009AHeadlight Bulb | |
| 25.....E-37529.....Light Shield, 1928A/AT,1931A,1935AT/B/BT | |
| 26.....E-36525.....Light Shield, 1945B,1947A | |
| 27.....E-5323813.....Screw, motor, 10 pk | |
| 28.....E-5323814.....Screw, motor mount, 10 pk | |
| 29.....E-54773.....Motor Assembly, 1942B,1945B,1946A,1947A | |
| 30.....NLAMotor Assembly, 1903B,1923B,1925A/AT,1932A, 1934A/A1,1943A/AT,1967A/AT/B/BT,1968A | |
| 31.....E-30517.....Motor Seal Gasket | |

EUREKA UPRIGHTS

1900 Series

LOWER CASTING ASSEMBLY

Models: 1903A/B, 1923A/B, 1925A/AT, 1928A/AT, 1931A, 1932A, 1934A/A1, 1935AT/B/BT, 1941E, 1942A/B, 1943A/AT, 1945B, 1946A, 1947A, 1967A/AT/B/BT, 1968A



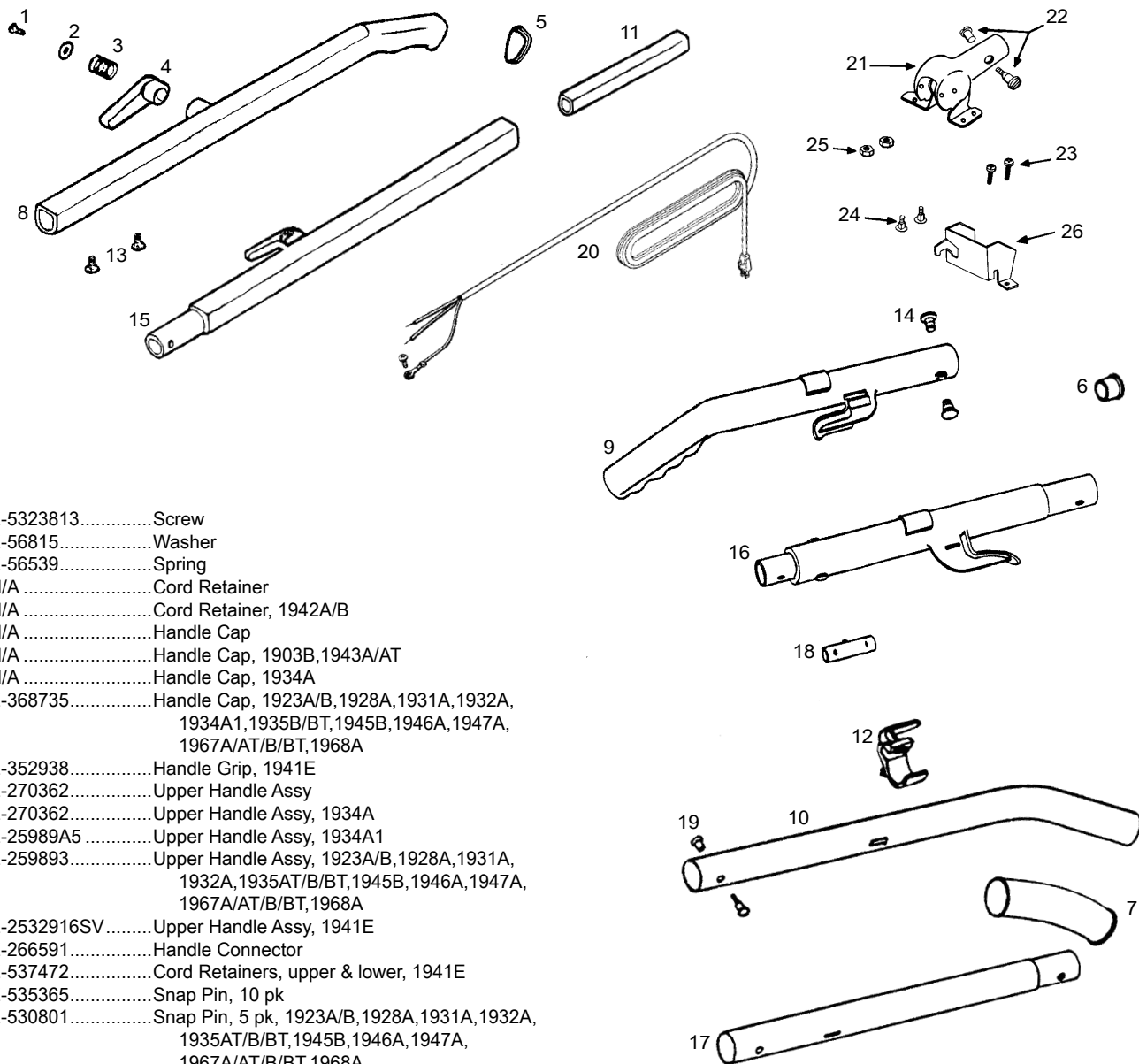
- 1.....E-369994.....Furniture Guard, white, narrow
- 2.....E-266071.....Furniture Guard, millstone, 1925A,1943A/AT
- 3.....E-2564815.....Furniture Guard, clear, 40", 1941E
- 3.....E-363423.....Furniture Guard, frost white
- 3.....E-3699933.....Furniture Guard, pepper, 1947A,1967A/AT/B/BT
1968A
- 6.....E-47562.....Rear Axle
- E-57346.....Washer, 1934A
- 7.....E-53111.....Axle Clip
- 8.....E-5323811.....Screw, axle clip, 10 pk
- 9.....E-358582.....Rear Wheel, grey, narrow
- E-60161.....Rear Wheel & Axle,
- 13.....E-35947A.....Front Axle
- 14.....E-35859A1.....Front Wheel, grey, scoup insides
- 15.....E-530762.....Axle Spring, 6 pk
- 16.....E-30563A.....Belt, sold each
- 16.....E-52100.....Belt, 2 pack
- 17.....E-533981.....Brush Roll Assy, complete, VG II, 12", hex end,
steel chrome
- 17.....E-533501.....Brush Roll Assy, wood, 12", hex end
- 17.....E-541041.....Brush Roll Assy, 1934A/A1
- 18.....E-259221.....Bottom Plate, w/ slots
- 20.....E-465384.....Foam Tape
- E-26059A.....Distribulator Cap, 1934A1
- E-38138.....Cap & Bearing Assy, 1934A1

EUREKA UPRIGHTS

1900 Series

HANDLE ASSEMBLY

Models: 1903A/B, 1923A/B, 1925A/AT, 1928A/AT, 1931A, 1932A, 1934A/A1, 1935AT/B/BT, 1941E, 1942A/B, 1943A/AT, 1945B, 1946A, 1947A, 1967A/AT/B/BT, 1968A



- 1..... E-5323813.....Screw
- 2..... E-56815.....Washer
- 3..... E-56539.....Spring
- 4..... N/A.....Cord Retainer
- 4..... N/A.....Cord Retainer, 1942A/B
- 5..... N/A.....Handle Cap
- 5..... N/A.....Handle Cap, 1903B, 1943A/AT
- 6..... N/A.....Handle Cap, 1934A
- 6..... E-368735.....Handle Cap, 1923A/B, 1928A, 1931A, 1932A, 1934A1, 1935B/BT, 1945B, 1946A, 1947A, 1967A/AT/B/BT, 1968A
- 7..... E-352938.....Handle Grip, 1941E
- 8..... E-270362.....Upper Handle Assy
- 8..... E-270362.....Upper Handle Assy, 1934A
- 8..... E-25989A5.....Upper Handle Assy, 1934A1
- 9..... E-259893.....Upper Handle Assy, 1923A/B, 1928A, 1931A, 1932A, 1935AT/B/BT, 1945B, 1946A, 1947A, 1967A/AT/B/BT, 1968A
- 10..... E-2532916SV.....Upper Handle Assy, 1941E
- 11..... E-266591.....Handle Connector
- 12..... E-537472.....Cord Retainers, upper & lower, 1941E
- 13..... E-535365.....Snap Pin, 10 pk
- 14..... E-530801.....Snap Pin, 5 pk, 1923A/B, 1928A, 1931A, 1932A, 1935AT/B/BT, 1945B, 1946A, 1947A, 1967A/AT/B/BT, 1968A
- 15..... E-016812.....Lower Handle Tube
- 16..... E-369842.....Lower Handle Tube, 1923A/B, 1928A, 1931A, 1932A, 1935AT/B/BT, 1945B, 1946A, 1947A, 1967A/AT/B/BT, 1968A
- 17..... E-126378.....Lower Handle Tube, 1941E
- 18..... E-259883.....Handle Tube Connector
- 19..... E-531981.....Screw & Nut Assy, 1941E
- 20..... NLA.....Power Cord
- 20..... E-273821.....Power Cord, 1903B, 1923A/B, 1928A, 1931A, 1932A, 1935AT/B/BT, 1945B, 1946A, 1947A, 1967A/AT/B/BT, 1968A, 1934A1
- E-530891.....Strain Relief Bushing, 10 pk
- 21..... E-540921.....Handle Socket Assembly
- 21..... E-541241.....Handle Socket Assembly, 1923B, 1925A, 1931A, 1932A, 1943A/AT, 1967A/AT/B/BT, 1968A
- 21..... E-271372SV.....Handle Socket Assembly, 1934A

- 21..... E-540921.....Handle Socket Assembly, 1941E, 1945B, 1946A
- 22..... E-531981.....Screw & Nut Assembly
- 23..... E-53145.....Bolt, 10 pk
- 24..... E-5323813.....Screw, 10 pk
- 25..... E-532135.....Nut, 10 pk
- 26..... E-37157.....Shield

PHONE: 1-800-822-7467 FAX: 847-647-0534 E-MAIL: sales@hescoinc.com WEB: hescoinc.com