



STEAM VAC™
DUAL V™
STEAM VAC™
ALL TERRAIN

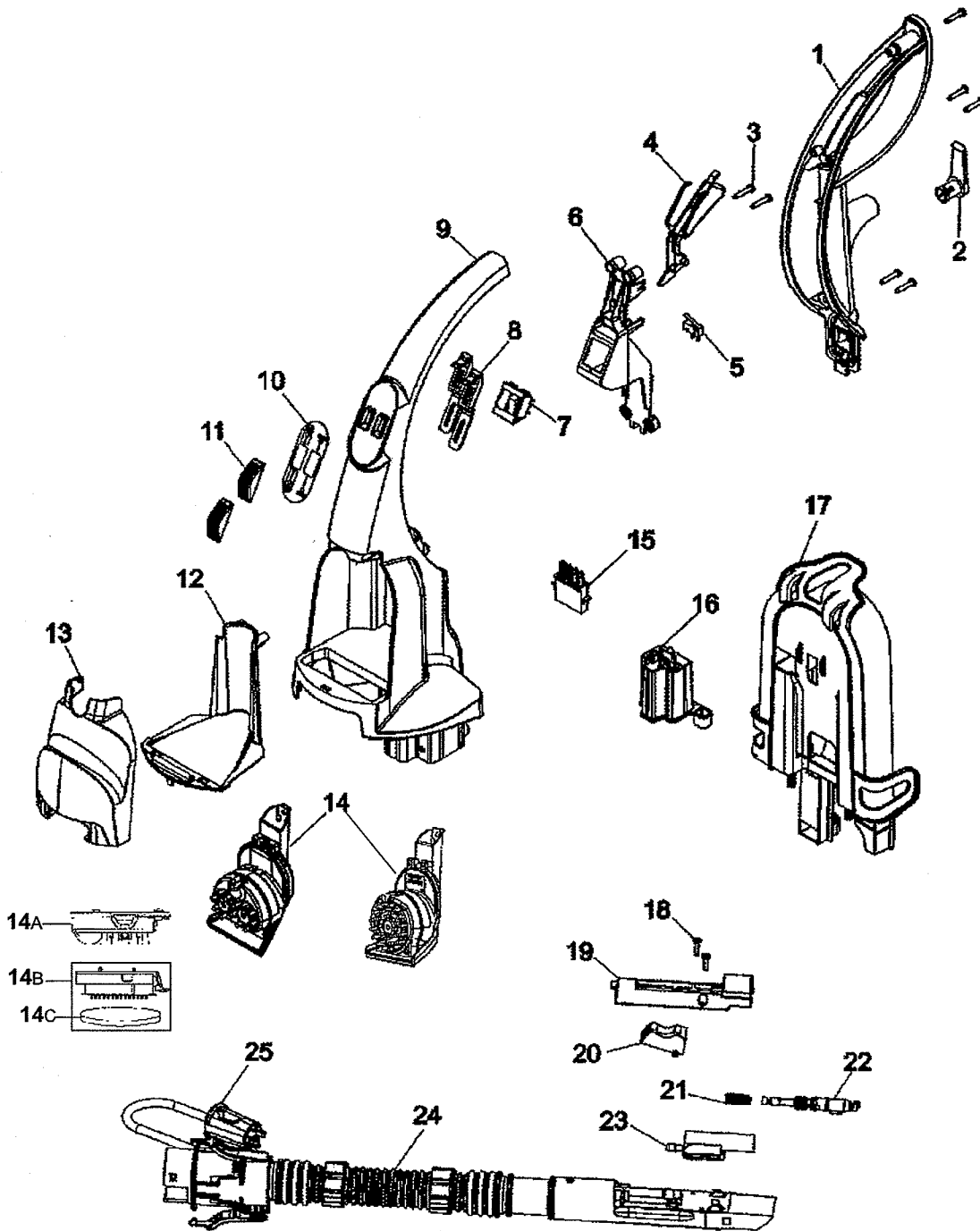
MAX Extract
DUAL V

15

ASSEMBLY SCHEMATIC

MODEL NO.

- F7222-900
- F7227-900
- F7411-900
- F7412-900
- F7428-900
- F7429-900
- F7450-100
- F7452-900
- FH50039
- FH50040
- FH50050





STEAM VAC™
DUAL V™
STEAM VAC™
ALL TERRAIN

MAX Extract
DUAL V

PART LISTING / PRICE LIST

ITEM	PART NUMBER	MODELS TO FIT	PART DESCRIPTION
1	39458063	F7222900, F7227900, F7428900, F7429900, F7450100, F7452900, FH50039, FH50040, FH50050	UPPER HANDLE - REAR
	39458011	F7411900, F7412900	UPPER HANDLE - REAR
	40201243	ALL	HANDLE HARDWARE ASSEMBLY
2	39442055	ALL	CORD WRAP - SANDSTONE GRAY
3	21447072	ALL	SCREW - SELF TAPPING
4	38434030	ALL	CONTROL LEVER - BLACK
5	46658005	ALL	MICRO SWITCH
6	36436023	ALL	UPPER HANDLE SUPPORT
7	28267003	ALL	SWITCH - DOUBLE ROCKER
8	38458065	ALL	SWITCH ROD - BLACK
9	39466118	F7222900, F7227900	UPPER HANDLE W/TOOL CADDY - FRONT SILVER SAND MEDIUM
	39466073	F7411900, F7412900	UPPER HANDLE W/TOOL CADDY - FRONT DARK CHARCOAL GRAY
	39466115	F7428900, F7450100, F7452900	UPPER HANDLE W/TOOL CADDY - FRONT SILVER SAND MEDIUM
	48663243	F7429900, FH50039, FH50040, FH50050	UPPER HANDLE W/O TOOL CADDY - FRONT
10	52313107	F7222900, F7227900, F7411900, F7412900, FH50039, FH50040, FH50050	LABEL - SWITCH / RINSE
	52313108	F7428900, F7429900, F7450100, F7452900	LABEL - SWITCH / AUTO RINSE
11	38421114	F7222900, F7227900, F7450100, FH50039, FH50040, FH50050	INDICATOR KNOB - SANDSTONE GRAY
	38421122	F7411900, F7412900, F7428900, F7429900, F7450100, F7452900	SWITCH BUTTON - SANDSTONE GRAY
12	36433227	F7222900, F7227900, F7411900, F7412900, F7428900, F7450100, FH50039, FH50040, FH50050	TOOL HOLDER
13	37276039	F7222900, F7227900, F7411900, F7412900, F7428900, F7450100, F7452900	TOOL HOLDER COVER - CLEAR
	37276043	F7429900, FH50039, FH50040, FH50050	FRONT COVER

HOVER SM 15

888.321.1134



STEAM VAC™
DUAL V™
STEAM VAC™
ALL TERRAIN

MAX Extract
DUAL V™

PART LISTING / PRICE LIST

ITEM	PART NUMBER	MODELS TO FIT	PART DESCRIPTION
14	302598001	F7222900, F7227900, F7411900, F7412900, F7428900, F7450100, F7452900	TURBINE POWER TOOL - SINGLE BRUSH / LIME GREEN
	48439009 OR 91001197	F7411900, F7412900, F7428900, F7450100, F7452900	TURBINE POWER TOOL - DUAL BRUSHES ORDER 302598001
14A	48437035	F7411900, F7412900, F7428900, F7450100, F7452900	REPLACEMENT STAIR / UPHOLSTERY MODULE - DUAL BRUSHES TO BE USED WITH TURBINE NOZZLE PART NUMBER 48439009 OR 91001197
14B	48437028	F7411900, F7412900, F7428900, F7450100, F7452900	SCRUB MODULE WITH SCRUB PAD TO BE USED WITH TURBINE NOZZLE PART NUMBER 48439009 OR 91001197
14C	91001102	F7411900, F7412900, F7428900, F7450100, F7452900	SCRUB PAD - ONLY TO BE USED WITH SCRUB MODULE
15	46658005	ALL	UPPER HANDLE WIRING HARNESS
16	37922014	ALL	WIRE COVER - SILVER SAND MEDIUM
17	92001281	F7222900, F7227900, F7428900, F7452900	TOOL CADDY - SANDSTONE GRAY
	36433243	F7411900, F7412900, F7429900, F7450100, FH50039, FH50040, FH50050	TOOL CADDY - SANDSTONE GRAY
18	21447239	ALL	SCREW
19	37276038	F7222900, F7227900, F7428900, F7429900, F7450100, F7452900, FH50039, FH50040, FH50050	WAND COVER - SANDSTONE GRAY
	37276006	F7411900, F7412900	WAND COVER - DESERT SAND
20	38433074	ALL	TRIGGER - BLACK
21	38312019	ALL	SPRING
22	43412007	ALL	NOZZLE AND VALVE ASSEMBLY
23	43513024	ALL	WAND VALVE ASSEMBLY - LARGER NIPPLE
24	43491086	ALL	HOSE ASSEMBLY - SANDSTONE GRAY
25	43513010	ALL	CONNECTOR COUPLER
	522227001	ALL	COUPLER SLEEVE ONLY - SATIN SILVER



**STEAM VAC™
DUAL V™
STEAM VAC™
ALL TERRAIN**

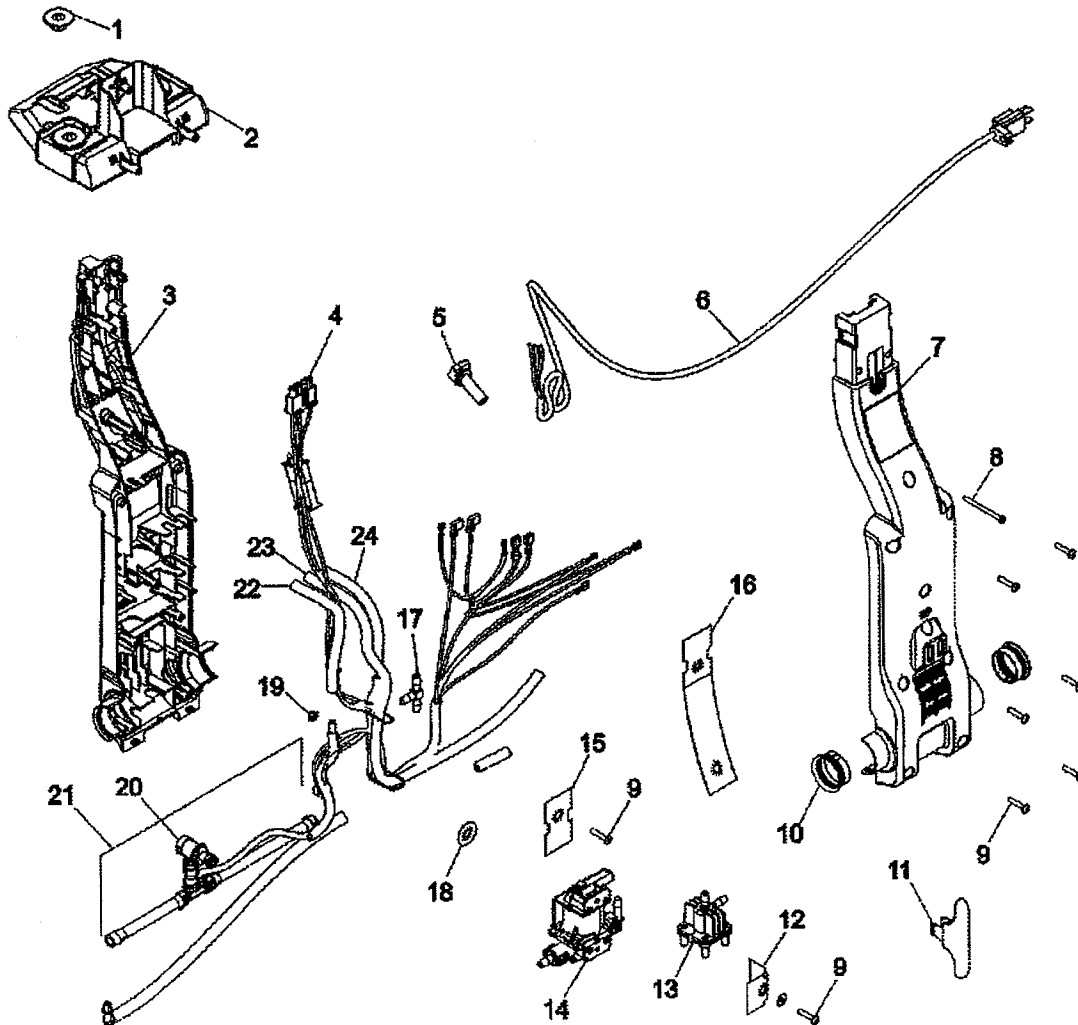
**MAX Extract
DUAL V**

15

ASSEMBLY SCHEMATIC

MODEL NO.

- F7222-900
- F7227-900
- F7411-900
- F7412-900
- F7428-900
- F7429-900
- F7450-100
- F7452-900
- FH50039
- FH50040
- FH50050





STEAM VAC™
DUAL V™
STEAM VAC™
ALL TERRAIN

MAX Extract
DUAL V

PART LISTING / PRICE LIST

ITEM	PART NUMBER	MODELS TO FIT	PART DESCRIPTION
1	38764042	F7222900, F7227900, F7411900, F7412900, F7428900, F7429900, F7450100, FH50039, FH50040, FH50050	METERING PLATE - SANDSTONE GRAY
	38764041	F7452900	METERING PLATE - SILVER SAND MEDIUM
2	41423024	F7222900, F7227900, F7428900, F7429900, F7450100, F7452900, FH50039, FH50040, FH50050	TANK SUPPORT ASSEMBLY
	41423021	F7411900, F7412900	TANK SUPPORT ASSEMBLY
3	39466116	ALL	LOWER HANDLE - FRONT SILVER SAND
4	46658003	F7222900, F7227900, F7411900, F7412900, FH50039, FH50040, FH50050	WIRING HARNESS ASSEMBLY
	46658004	F7428900, F7429900, F7450100, F7452900	WIRING HARNESS ASSEMBLY
5	36215028	ALL	CORD PROTECTOR - BLACK
6	46583181	ALL	POWER CORD ASSEMBLY - BLACK
	46583125	F7411900, F7412900	POWER CORD - 21'
7	39466117	F7222900, F7227900, F7428900, F7429900, F7450100, F7452900, FH50039, FH50040, FH50050	LOWER HANDLE - REAR SILVER SAND MEDIUM
	91001098	F7411900, F7412900	LOWER HANDLE - REAR DARK CHARCOAL GRAY ORDER 39466117
8	21447019	ALL	SCREW
9	21447269	ALL	SCREW
10	32456001	ALL	TRUNNON SLEEVE
11	36433228	F7222900, F7227900, F7428900, F7429900, F7450100, F7452900, FH50039, FH50040, FH50050	CORD HOOK - HOSE SILVER SAND MEDIUM
	36433169	F7411900, F7412900	CORD HOOK - HOSE DARK CHARCOAL GRAY ORDER 36433228
12	34264006	ALL	INSULATOR
13	43513013	ALL	PRESSURE VALVE ASSEMBLY
14	43582011	ALL	PUMP ASSEMBLY - SOLENOID

HOOVER SM 15

888.321.1134



STEAM VAC™
DUAL V™
STEAM VAC™
ALL TERRAIN

MAX Extract
DUAL V

PART LISTING / PRICE LIST

ITEM	PART NUMBER	MODELS TO FIT	PART DESCRIPTION
15	34264006	ALL	INSULATOR
16	34285001	ALL	INSULATOR
17	38681010	ALL	T CONNECTOR
18	34264007	ALL	INSULATOR - LOWER
19	25411015	ALL	HOSE CLAMP
20	43523004	ALL	QUICK DISCONNECT ASSEMBLY
21	43491046	ALL	QUICK DISCONNECT TUBING
22	90001101	ALL	TUBING - 6.75" LONG
23	66173013	ALL	TUBING - 22.25" LONG
24	90001101	ALL	TUBING - 6.75" LONG

HOVER SM 15

888.321.1134

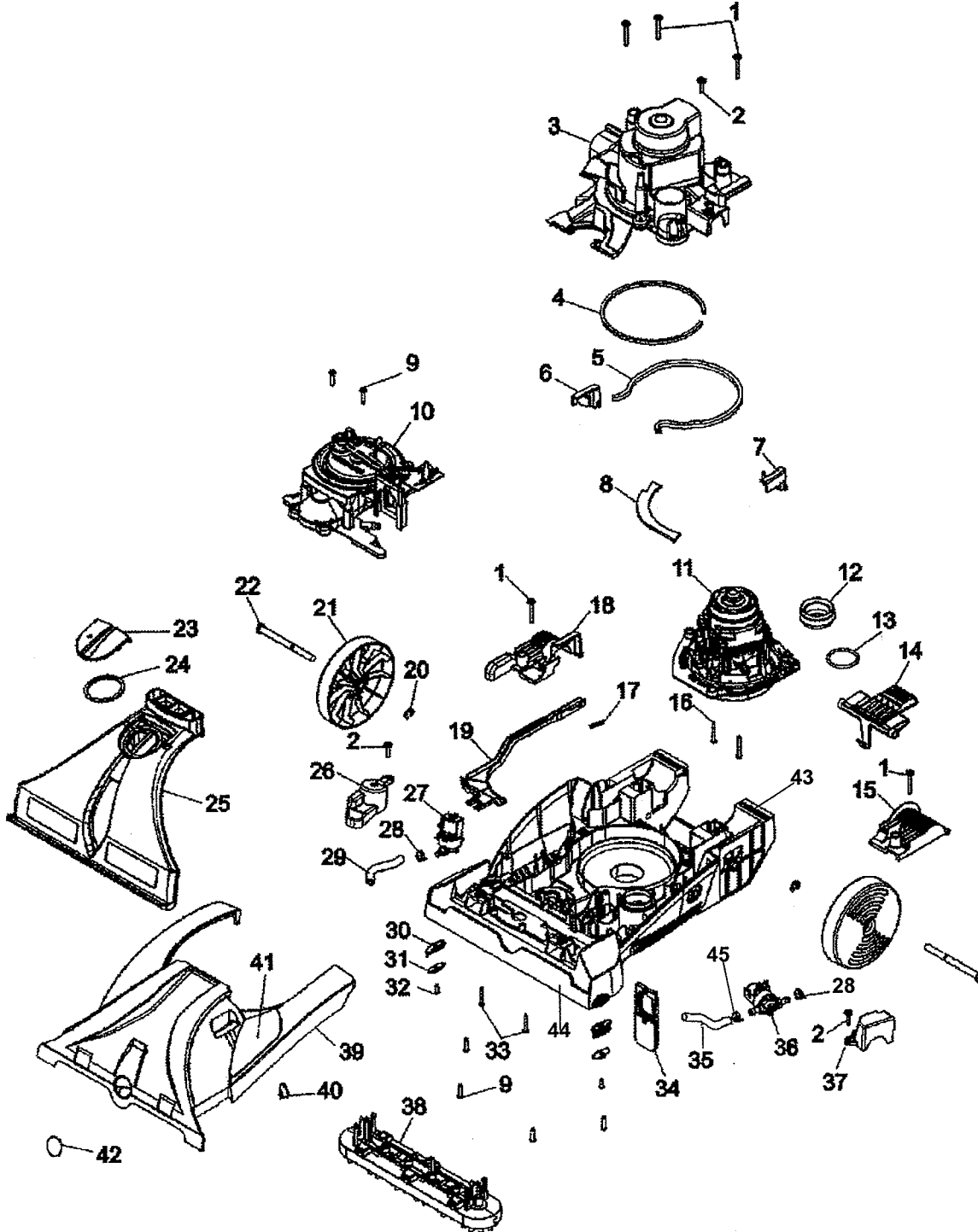


**STEAM VAC™
DUAL V™
STEAM VAC™
ALL TERRAIN**

**MAX Extract™
DUAL V**

15

ASSEMBLY SCHEMATIC



MODEL No.

- F7222-900
- F7227-900
- F7411-900
- F7412-900
- F7428-900
- F7429-900
- F7450-100
- F7452-900
- FH50039
- FH50040
- FH50050



STEAM VAC™
DUAL V™
STEAM VAC™
ALL TERRAIN

MAX Extract
DUAL V

PART LISTING / PRICE LIST

ITEM	PART NUMBER	MODELS TO FIT	PART DESCRIPTION
1	23149004	ALL	TAPPING SCREW WITH WASHER
2	23149002	ALL	SCREW - SELF TAPPING
3	37196196	F7222900, F7227900, FH50039, FH50040, FH50050	MOTOR COVER - SILVER SAND MEDIUM
	37196194	F7411900, F7412900, F7428900, F7429900, F7450100	MOTOR COVER - SILVER SAND MEDIUM
		F7452900	MOTOR COVER
4	34113004	ALL	MOTOR SEAL
5	38781067	ALL	BASE MOTOR SEAL
6	36153097	ALL	DIRTY WATER TANK LATCH - LEFT BLACK
7	36153098	ALL	DIRTY WATER TANK LATCH - RIGHT BLACK
8	38781074	ALL	INNER SEAL
9	21447217	ALL	SCREW - SELF TAPPING
10	43191009	F7222900	TURBINE AND GEAR ASSEMBLY - 5 BRUSH MODELS PRIOR TO 12/02 KEEP CAP ON MODELS 12/02 AND AFTER REMOVE CAP ONE PORT ASSEMBLY
	43191011	F7222900, F7227900, FH50039, FH50040, FH50050	TURBINE AND GEAR ASSEMBLY - 5 BRUSH
	43191018	F7411900, F7412900, F7428900, F7429900, F7450100, F7452900	TURBINE AND GEAR ASSEMBLY - 6 BRUSH
11	27212077	F7222900, F7227900, F7411900, F7412900, F7452900	MOTOR ASSEMBLY
	27212074	F7428900, F7429900, F7450100, FH50039, FH50040, FH50050	MOTOR ASSEMBLY
12	38784063	ALL	STANDPIPE SEAL
13	25156522	F7222900, FH50039, FH50040, FH50050	O-RING
	25156524	F7227900, F7428900, F7429900, F7450100	O-RING
	25156521	F7411900, F7412900, F7452900	O-RING



STEAM VAC™
DUAL V™
STEAM VAC™
ALL TERRAIN

MAX Extract
DUAL V

PART LISTING / PRICE LIST

ITEM	PART NUMBER	MODELS TO FIT	PART DESCRIPTION
14	38434045	F7222900, F7227900, F7428900, F7429900, F7450100, F7452900, FH50039, FH50040, FH50050	HANDLE RELEASE PEDAL - SANDSTONE GRAY
	38434035	F7411900, F7412900	HANDLE RELEASE PEDAL - DEEP SAND
15	36131151	F7222900, F7227900, FH50039, FH50040, FH50050	TRUNNION BRACKET - LEFT SILVER SAND MEDIUM
	36131145	F7411900, F7412900, F7428900, F7429900, F7450100, F7452900	TRUNNION BRACKET - LEFT SILVER SAND MEDIUM
16	21479438	ALL	SCREW - SELF TAPPING
17	38331006	ALL	SPRING - TURBINE ACTUATOR
18	36131152	F7222900, F7227900, FH50039, FH50040, FH50050	TRUNNION BRACKET - RIGHT SILVER SAND MEDIUM
	36131146	F7411900, F7412900, F7428900, F7429900, F7450100	TRUNNION BRACKET - RIGHT SILVER SAND MEDIUM
		F7452900	TRUNNION BRACKET - RIGHT
19	38458066	ALL	ACTUATOR ARM - TURBINE
20	160017--	ALL	LOCK RING
21	38522099	F7222900, F7227900, F7428900, F7429900, F7450100, FH50039, FH50040, FH50050	REAR WHEEL - SILVER SAND MEDIUM
	38522083	F7411900, F7412900	REAR WHEEL - DARK CHARCOAL GRAY
	303611001	F7452900	REAR WHEEL - SILVER SAND MEDIUM
22	32434013NC	F7222900, F7227900, FH50039, FH50040, FH50050	REAR AXLE
	32436004	F7411900, F7412900, F7428900, F7429900, F7450100, F7452900	REAR AXLE - 6 BRUSH
23	92001325	F7222900, F7227900, F7428900, F7429900, F7450100, F7452900, FH50039, FH50040, FH50050	TOOL PORT DOOR - CLEAR
	91001091	F7411900, F7412900	TOOL PORT DOOR - QUARTZ TRANSPARENT LIGHT

HOVER SM 15

888.321.1134



STEAM VAC™
DUAL V™
STEAM VAC™
ALL TERRAIN

MAX Extract
DUAL V

PART LISTING / PRICE LIST

ITEM	PART NUMBER	MODELS TO FIT	PART DESCRIPTION
24	38784091	ALL	TOOL PORT DOOR SEAL
25	43411019	F7222900, F7227900, FH50039, FH50040, FH50050	NOZZLE ASSEMBLY - 5 BRUSH
	43411020	F7411900, F7412900, F7428900, F7429900, F7450100, F7452900	NOZZLE ASSEMBLY - 6 BRUSH
26	37278014	F7222900, F7227900, F7428900, F7429900, F7450100, FH50039, FH50040, FH50050	SOLENOID COVER - RIGHT SILVER SAND MEDIUM
	37278013	F7411900, F7412900, F7452900	SOLENOID COVER - RIGHT DARK CHARCOAL GRAY
27	25686057	ALL	SOLENOID VALVE - GRAVITY
28	25411015	ALL	HOSE CLAMP
29	90001101	ALL	TUBING - 6.75" LONG
30	39511014	ALL	GROOMERS - LIME GREEN
31	36131144	ALL	GROOMERS PLATE - SANDSTONE GRAY
32	21447217	ALL	SCREW - SELF TAPPING
33	21447268	ALL	SCREW
34	43613018	ALL	FILTER AND SCREEN ASSEMBLY
	90001294	ALL	TANK SCREEN
35	90001101	ALL	TUBING - 6.75" LONG
36	25686056	ALL	SOLENOID VALVE - PRESSURE
37	37278015	F7222900, F7227900, F7428900, F7429900, F7450100, FH50039, FH50040, FH50050	SOLENOID COVER - LEFT SILVER SAND MEDIUM
	91001093	F7411900, F7412900, F7452900	SOLENOID COVER - LEFT DARK CHARCOAL GRAY
38	48437029	F7222900, F7227900, FH50039, FH50040, FH50050	BRUSH BLOCK - 5 BRUSH
	48437030	F7411900, F7412900, F7428900, F7429900, F7450100, F7452900	BRUSH BLOCK - 6 BRUSH
	48437034	F7428900, F7452900	BRUSH BLOCK - BARE FLOOR - 6 BRUSH
	48417006	F7411900, F7412900, F7428900, F7429900	BARE FLOOR TOOL - 6 BRUSH
	36419008	F7411900, F7412900, F7428900, F7429900, F7450100, F7452900	HARD FLOOR SQUEEGEE - 6 BRUSH

HOVER SM 15

888.321.1134



STEAM VAC™
DUAL V™
STEAM VAC™
ALL TERRAIN

MAX Extract
DUAL V

PART LISTING / PRICE LIST

ITEM	PART NUMBER	MODELS TO FIT	PART DESCRIPTION
39	37271138	F7222900	HOOD / NOZZLE COVER - BRITE CRIMSON
	37271105	F7227900	HOOD / NOZZLE COVER - PEWTER METALLIC
	37271130	F7411900	HOOD / NOZZLE COVER - PLUM
	37271139	F7412900, F7428900	HOOD / NOZZLE COVER - BLACK
	37271166	F7429900	HOOD / NOZZLE COVER - EARTH GREEN
	522261001	F7450100	HOOD / NOZZLE COVER - GARNET METALLIC
	37271133	F7452900	HOOD / NOZZLE COVER - PATRIOT BLUE
	37271092	FH50039, FH50040, FH50050	HOOD / NOZZLE COVER - BLACK
40	38421114	ALL	INDICATOR KNOB - SANDSTONE GRAY
41	51865029	F7222900, F7227900, FH50039, FH50040, FH50050	LABEL - BRUSH SPEED
	51865037	F7411900, F7412900, F7429900, F7450100	LABEL - BRUSH SPEED
	51865036	F7428900 F7452900	LABEL - BRUSH
42	51661020	ALL	MEDALLION
43	37272126	F7222900, F7227900	BODY / NOZZLE BASE - 5 BRUSH
	37272131	FH50039, FH50040, FH50050	BODY / NOZZLE BASE - 5 BRUSH
	37272132	F7450100	BODY / NOZZLE BASE - 6 BRUSH
	37272123	F7411900, F7412900, F7428900, F7429900, F7452900	BODY / NOZZLE BASE - 6 BRUSH
44	37272118	F7411900, F7412900, F7428900, F7429900, F7450100, F7452900	BRUSH BLOCK HOUSING - 6 BRUSH
45	25411017	ALL	HOSE CLAMP



**STEAM VAC™
DUAL V™
STEAM VAC™
ALL TERRAIN**

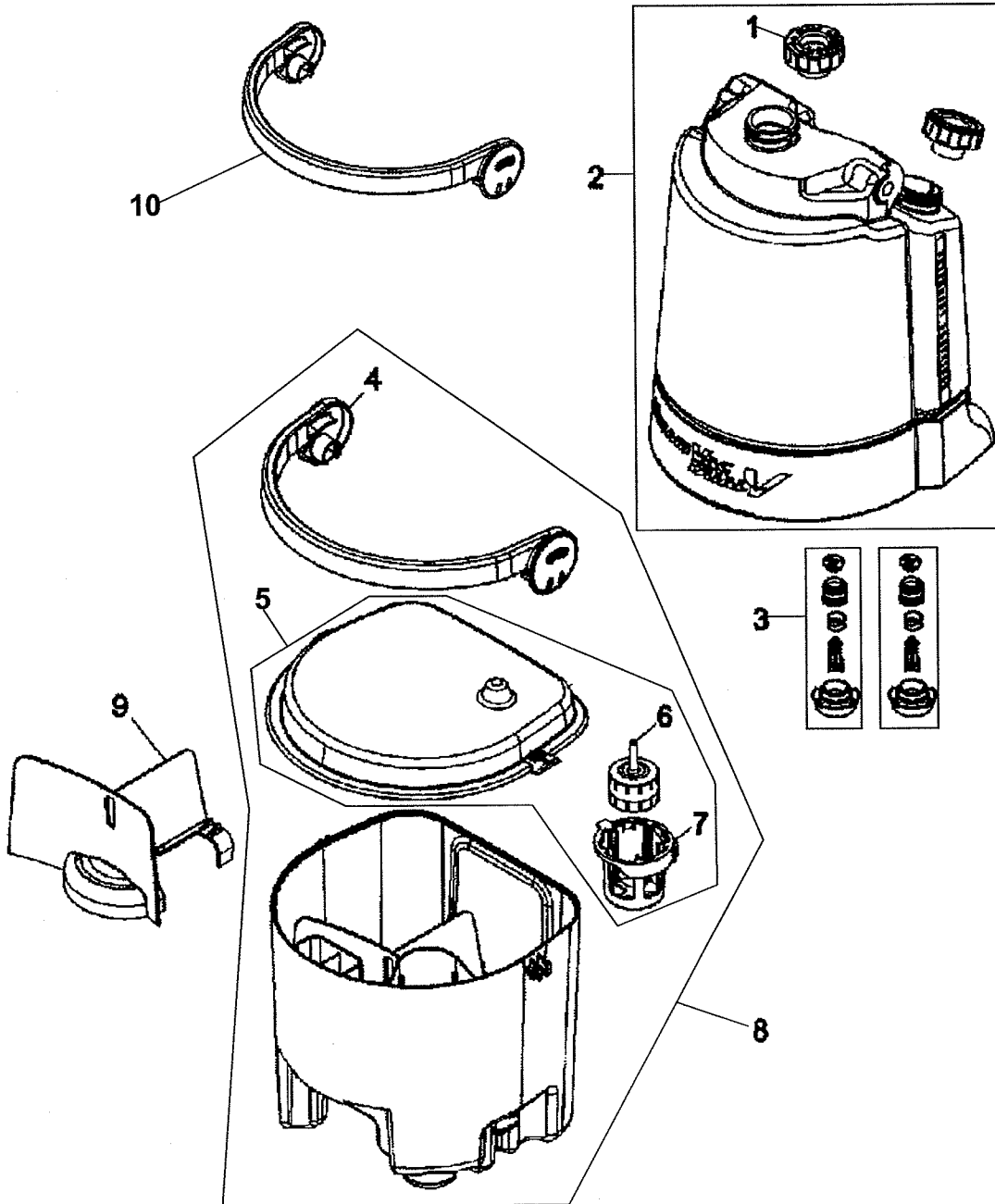
**MAX Extract™
DUAL V™**

15

ASSEMBLY SCHEMATIC

MODEL NO.

- F7222-900
- F7227-900
- F7411-900
- F7412-900
- F7428-900
- F7429-900
- F7450-100
- F7452-900
- FH50039
- FH50040
- FH50050





STEAM VAC™
DUAL V™
STEAM VAC™
ALL TERRAIN

MAX Extract
DUAL V

PART LISTING / PRICE LIST

ITEM	PART NUMBER	MODELS TO FIT	PART DESCRIPTION
1	42272138	F7222900, F7452900	THREADED CAP - SCREW ON
	42272174	ALL	THREADED CAP - TWIST ON / NEW STYLE
2	90001295	F7222900, F7452900	C. WATER / SOLUTION TANK - OLD STYLE ORDER 42272104SP
	42272104SP	ALL	C. WATER / SOLUTION TANK - NEW STYLE
3	43513026	ALL	VALVE ASSEMBLY
4	39457069	F7222900, F7411900, F7412900, F7428900, F7429900, F7450100, FH50039, FH50040, FH50050	DIRTY WATER TANK CARRYING HANDLE - SANDSTONE GRAY
	39457067	F7227900	DIRTY WATER TANK CARRYING HANDLE - LEGACY PURPLE SUB: ORDER 39457043 BLACK
	39457043	F7452900	DIRTY WATER TANK CARRYING HANDLE - BLACK
5	42272166	ALL	DIRTY WATER TANK LID ASSEMBLY WITH FLOAT
6	43538002	ALL	FLOAT ASSEMBLY - BRITE YELLOW
7	38719043	ALL	FLOAT RETAINER
8	42272172	ALL	DIRTY WATER TANK ASSEMBLY COMPLETE
9	38769033	ALL	DIRTY WATER TANK BAFFLE - FROST TRANSLUCENT
10	39457068	F7222900, F7411900, F7412900, F7428900, F7429900, F7450100, FH50039, FH50040, FH50050	HANDLE / LATCH - C.W. / SOLUTION TANK - SANDSTONE GRAY
	39457066	F7227900	HANDLE / LATCH - C.W. / SOLUTION TANK - LEGACY PURPLE SUB: 39457068 SANDSTONE
	39457062	F7452900	HANDLE / LATCH - C.W. / SOLUTION TANK - PATRIOT BLUE