

# UZ 934

---

Model:  
UZ 934



Part List US-English

25-05-2009

# Table of Contents

UZ 934

|                               |          |
|-------------------------------|----------|
| <b>Cover and Container</b>    | <b>3</b> |
| <b>Filter, fan and cord</b>   | <b>5</b> |
| <b>Nozzles, hose and tube</b> | <b>7</b> |

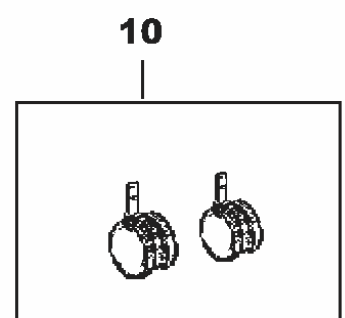
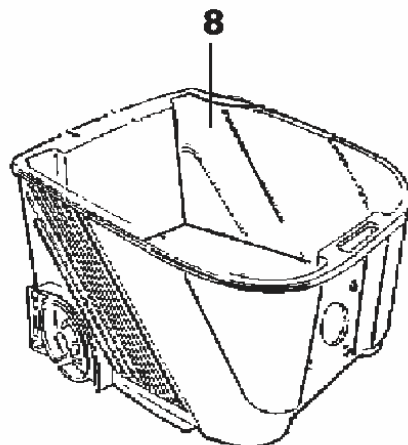
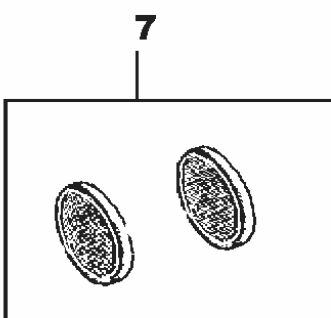
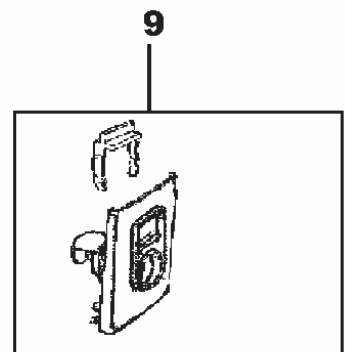
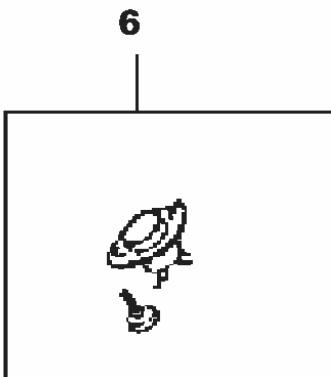
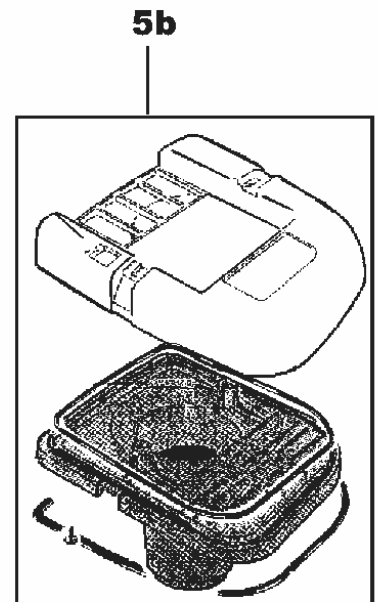
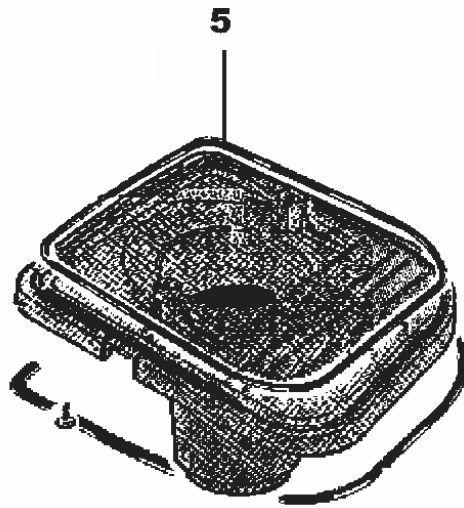
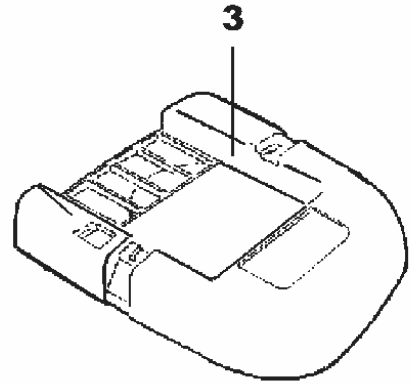
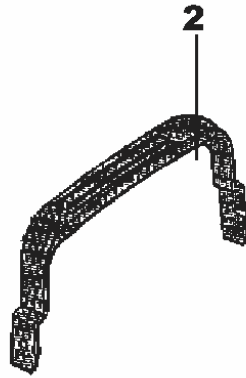
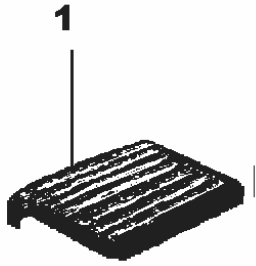
# Cover and Container

UZ 934

25-05-2009

Part List ID  
B0633\_2

3



# Cover and Container

UZ 934

25-05-2009

Part List ID  
B0633 2

4

| Pos | Part no.     | Qty | Description              | EAN        |
|-----|--------------|-----|--------------------------|------------|
| 1   | 140 6873 500 | 1   | GRATING                  | 7319519631 |
| 2   | 140 6872 500 | 1   | HANDLE BLACK KIT         | 7319519631 |
| 3   | 140 6871 500 | 1   | COVER UPPER GREY         | 7319519631 |
| 3   | 140 6871 520 | 1   | COVER UPPER UL BLUE      | 7319519631 |
| 3   | 140 6871 530 | 1   | COVER UPPER GREEN        | 7319519642 |
| 3   | 140 6871 590 | 1   | COVER UPPER RED          | 7319519662 |
| 4   | 140 5496 510 | 1   | SWITCH UL KIT            | 7319519631 |
| 4   | 140 5496 510 | 1   | SWITCH UL KIT            | 7319519631 |
| 5   | 140 6870 500 | 1   | COVER LOWER KIT          | 7319519631 |
| 5   | 140 6870 510 | 1   | COVER LOWER UL KIT       | 7319519632 |
| 5   | 140 6870 520 | 1   | COVER LOWER UL KIT       | 7319519658 |
| 6   | 140 3894 500 | 1   | THERMO PROTECTION KIT    | 7319519631 |
| 7   | 140 8458 500 | 2   | WHEEL REAR KIT           | 7319519632 |
| 8   | 140 6408 500 | 1   | CONTAINER BLUE           | 7319519631 |
| 8   | 140 6408 510 | 1   | CONTAINER GREY           | 7319519631 |
| 8   | 140 6408 520 | 1   | CONTAINER YELLOW UZ934   | 7319519675 |
| 8   | 140 6408 600 | 1   | CONTAINER ALTOBLUE UZ934 | 7319519658 |
| 8   | 140 6408 610 | 1   | CONTAINER ORANGE UZ934   | 7319519662 |
| 9   | 140 7205 500 | 1   | TRIGGER KIT              | 7319519631 |
| 10  | 140 6422 500 | 2   | WHEELS LINK 50MM         | 7319519631 |

NOTE: Part number 140 6871 520 cover upper UL blue, is cancelled.  
The cover upper UL blue part, is instead included in item 5b part number 140 6870 520  
Cover kit UL Alto blue. This kit is valid for UL-approved machines.

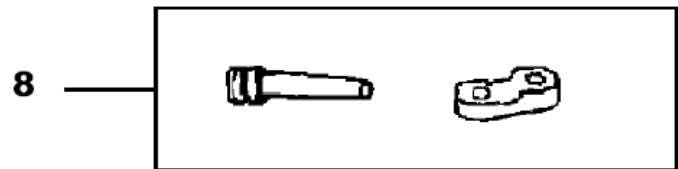
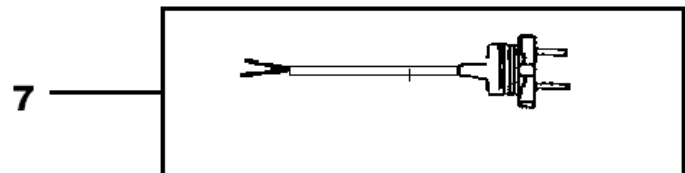
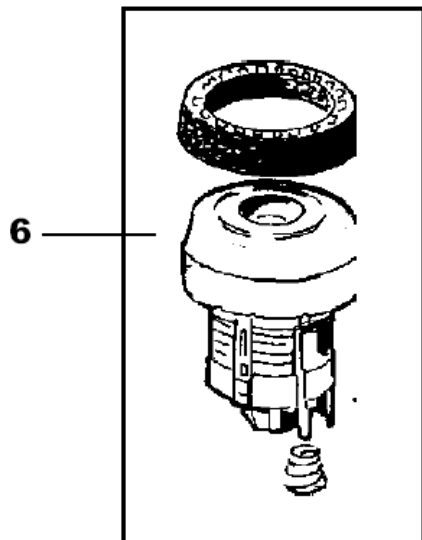
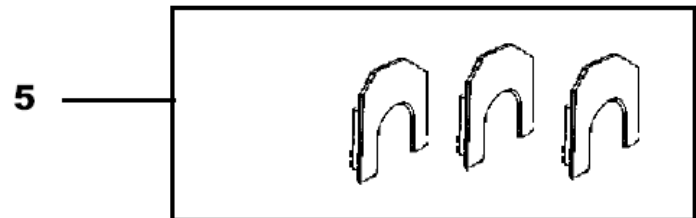
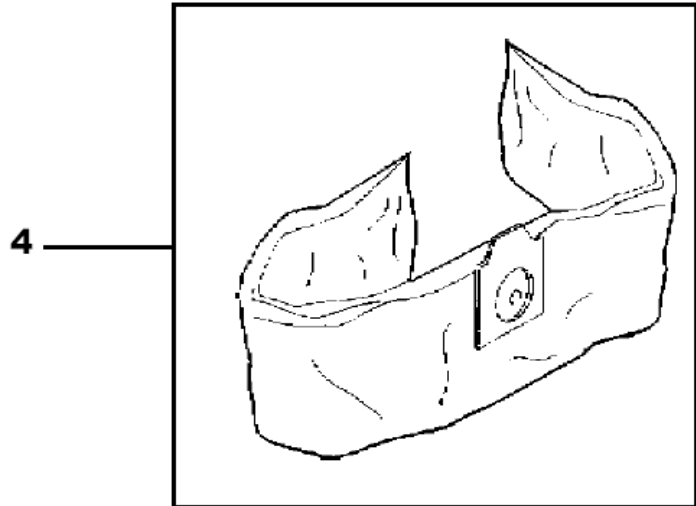
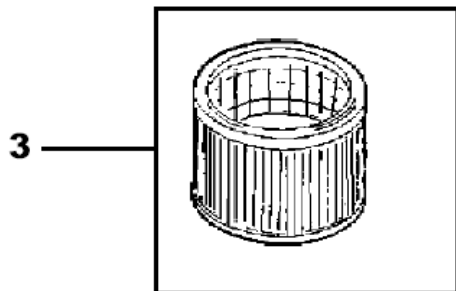
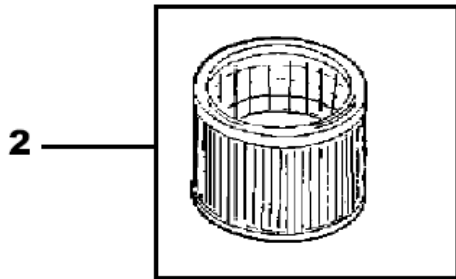
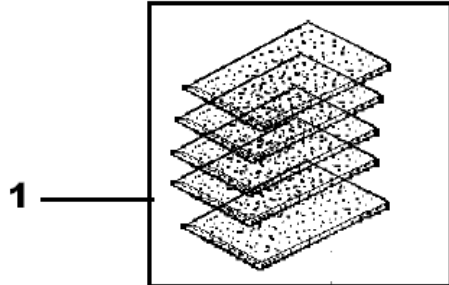
# Filter, fan and cord

UZ 934

25-05-2009

Part List ID  
B0635\_2

5



# Filter, fan and cord

UZ 934

25-05-2009

Part List ID  
B0635 2

6

| Pos | Part no.     | Qty | Description                                       | EAN        |
|-----|--------------|-----|---|------------|
| 0   | 140 8163 010 | 1   | NYLON FILTER<br>not shown                         | 7319519410 |
| 1   | 140 6879 500 | 5   | EXHAUST FILTER KIT                                | 7319519631 |
| 2   | 140 6880 500 | 1   | MAIN FILTER KIT UZ934                             | 7319519631 |
| 3   | 140 7542 010 | 1   | HEPA FILTER IN PACKAGE                            | 7319519482 |
| 4   | 140 5612 000 | 1   | CLOTH DUST BAG                                    | 7319519388 |
| 4   | 140 6905 020 | 10  | DUST BAG 10-PCS                                   | 7319519403 |
| 5   | 140 6744 500 | 3   | LOCK WASHER 3 PIECES                              | 7319519631 |
| 6   | 140 7902 500 | 1   | FAN UNIT KIT DOMEL 230V                           | 7319519605 |
| 6   | 140 7902 510 | 1   | FAN UNIT KIT DOMEL 110-120V                       | 7319519605 |
| 6   | 140 7902 520 | 1   | FAN UNIT KIT DOMEL 240V                           | 7319519605 |
| 6   | 140 7902 530 | 1   | FAN UNIT KIT DOMEL 100V                           | 7319519605 |
| 6   | 140 7902 540 | 1   | FAN UNIT KIT DOMEL 127V FAN UNIT, SUSPENSION RING | 7319519605 |
| 7   | 140 6423 500 | 1   | CORD EU L 15M                                     | 7319519631 |
| 7   | 140 6423 510 | 1   | CORD EU L 10M                                     | 7319519631 |
| 7   | 140 6423 520 | 1   | CORD KIT CH L 15M                                 | 7319519631 |
| 7   | 140 6423 530 | 1   | CORD UK L 15M                                     | 7319519631 |
| 7   | 140 6423 540 | 1   | CORD UK L 10M                                     | 7319519631 |
| 7   | 140 6423 550 | 1   | CORD US PLUG L 15M                                | 7319519631 |
| 7   | 140 6423 560 | 1   | CORD US L 10M GROUNDED                            | 7319519631 |
| 7   | 140 6423 570 | 1   | CORD JP L 15M                                     | 7319519631 |
| 7   | 140 6423 580 | 1   | CORD AU L 14M                                     | 7319519631 |
| 7   | 140 6423 590 | 1   | CORD EU RED L 12.7M                               | 7319519665 |
| 8   | 140 7035 500 | 1   | PROTECTION SLEEVE KIT                             | 7319519631 |
| 8   | 140 7035 510 | 1   | PROTECTION SLEEVE US KIT                          | 7319519631 |
| 9   | 140 6667 040 | 1   | FILTER L 130                                      | 7319519482 |

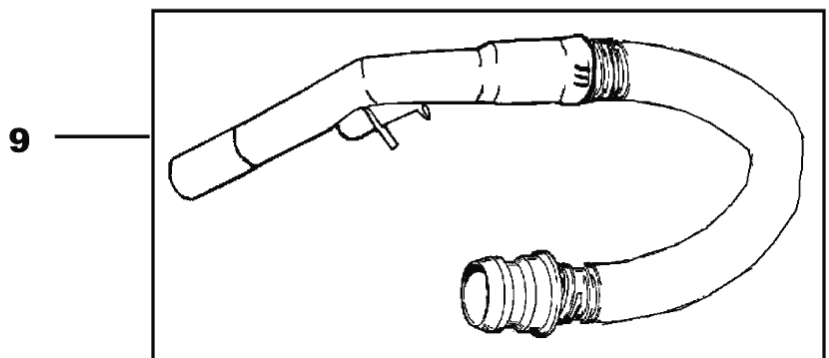
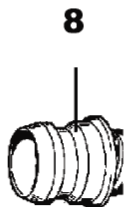
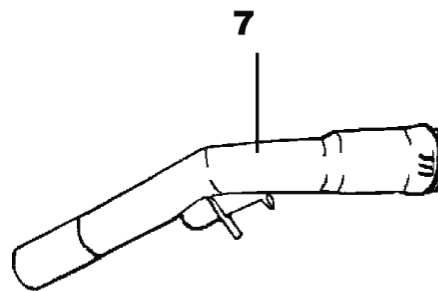
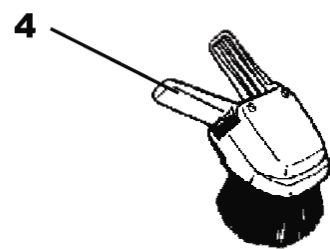
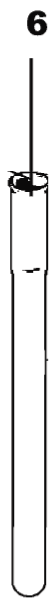
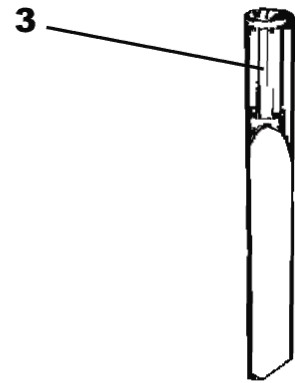
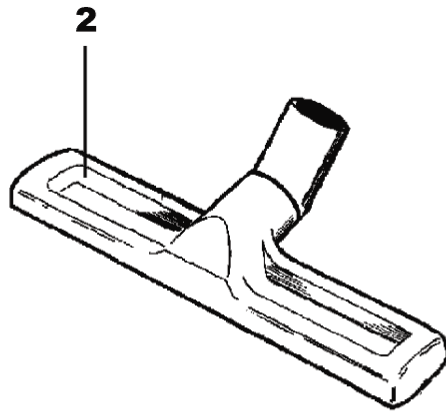
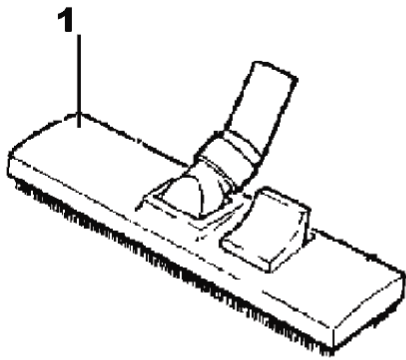
# Nozzles, hose and tube

UZ 934

25-05-2009

Part List ID  
B0637\_2

7



# Nozzles, hose and tube

UZ 934

25-05-2009

Part List ID

B0637 2

8

| Pos | Part no.     | Qty | Description                  | EAN        |
|-----|--------------|-----|------------------------------|------------|
| 1   | 11980300     | 1   | COMBO-FL. NOZZ. GREY 270MM   |            |
| 2   | 140 6701 500 | 1   | MULTI SURF NOZZLE DIAM.32 MM | 7319519631 |
| 3   | 010 3098 500 | 1   | CREVICE NOZZLE               | 7319519629 |
| 4   | 011 3104 500 | 1   | SMALL COMBI NOZZLE           | 7319519629 |
| 5   | 011 8130 500 | 1   | TELESCOPIC TUBE ALUMINIUM    | 7319519631 |
| 6   | 011 6431 500 | 1   | EXTENSION TUBE ALUMINIUM     | 7319519631 |
| 7   | 140 7584 500 | 1   | HOSE HANDLE CPL.             | 7319519631 |
| 8   | 140 3304 500 | 1   | INLET SLEEVE D32             | 7319519631 |
| 9   | 140 6430 500 | 1   | HOSE PLASTIC D32             | 7319519631 |